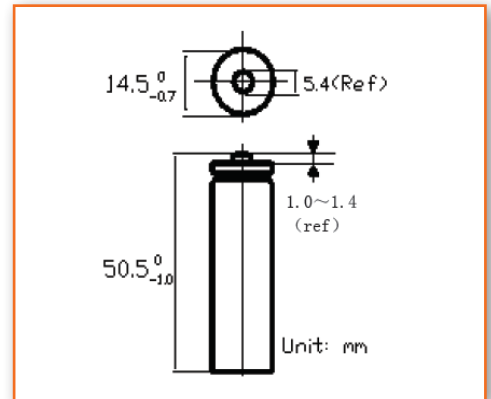




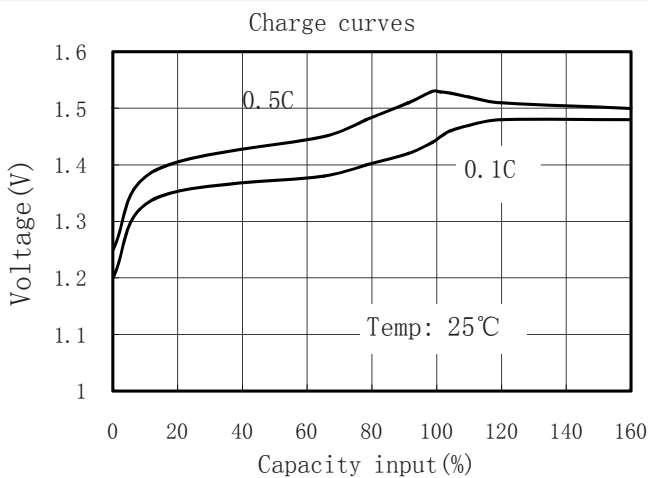
NX-READY XTREM SEALED RECHARGEABLE CELL

MAIN INFORMATION / INFORMATIONS GENERALES

BRAND NAME	MARQUE	NX
TECHNOLOGY	TECHNOLOGIE	Nickel metal hydride
VOLTAGE	TENSION	1.2V
DIMENSION	DIMENSION	50.5 mm (h) x 14.5 mm (Ø)
WEIGHT	POIDS	29g
MINIMUM CAPACITY	CAPACITÉ MINIMUM	2400mAh
TYPICAL CAPACITY		2450mAh (when discharged at 0.2C to 1.10V at 20°C)
NOMINAL VOLTAGE	TENSION NOMINALE	1.2V
CHARGING CONDITION		240mA for 16hrs at 20°C
FAST CHARGE	RAPIDITÉ DE CHARGE	up to 1200mA
PERMANENT CHARGE		24mA to 72mA
MAX. OVERCHARGE CURRENT		240mA (up to 48 hours)
SERVICE LIFE		> 300 cycles (IEC standard)
CONTINUOUS OVERCHARGE		240mA maximum current for 48 hours No conspicuous deformation and/or leakage
INTERNAL RESISTANCE		≤ 50m Ω (upon fully charged)
MAX. CHARGING VOLTAGE		1.5V at 240mA charging
AMBIENT TEMPERATURE RANGE		
• Standard charging		0°C to 45°C
• Fast charging		10°C to 40°C
• Discharging		-20°C to 60°C
• Permanent charge		0°C to 45°C
• Storage (1 year)		-20°C to 35°C
• Storage (6 month)		-20°C to 45°C
• Storage (1 month)		-20°C to 55°C



CHARGE CURVES



DISCHARGE CURVES

