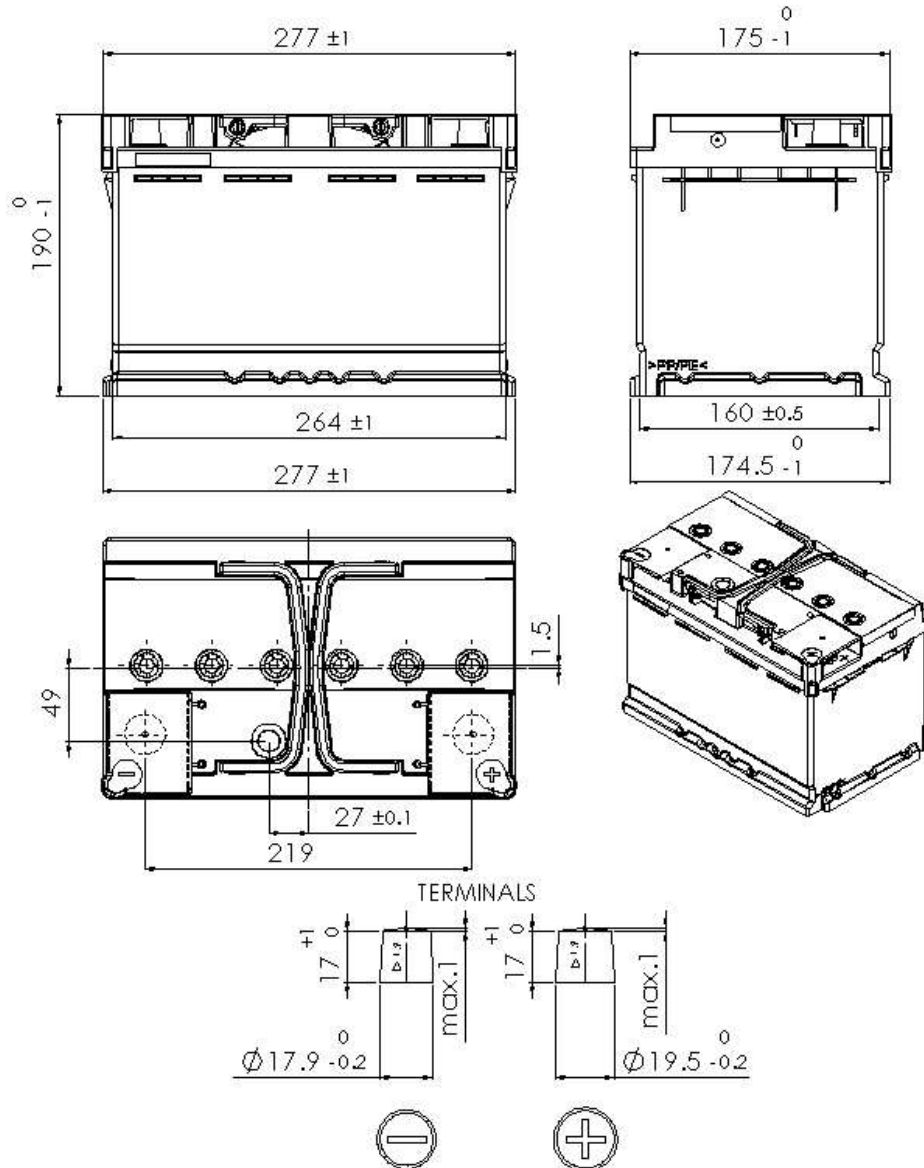


**ROMBAT TECHNICAL DATA SHEET – L3 70Ah 750A TUNDRA EFB**



**MANUFACTURER: S.C. ROMBAT S.A.**

**CODE: TEFB370**

**APPLICATION: Auto**

**BRAND: TUNDRA EFB**

**SPECIFICATION: 12V - 70Ah - 750A (EN)**

**TERMINAL POSITION: 0 (positive right)**

**SIZE (LxIhx): 278x175x190 (mm)**

**BOX TYPE: L3, PPCo, bottom hold down 10.5 mm – B13 (4 sides)**

**LID TYPE: PPCo double lid with venting hole, flame arrestor, hydrometer, unremovable M18 plugs and IHL (integrated handle to cover)**

**ELECTROLYTE DENSITY ON DELIVERY: 1.28 ± 0.01 g/cm<sup>3</sup>**

**WATER LOST: Very Low**

**SEPARATOR: Polyethylene**

**PACKAGING: 48 pieces/euro pallet**

**SHIPMENT REGULATION:**

- Normal for road transportation
- Special condition 8 class hazard UN2794 for sea transportation

E: rombat@rombat.ro    Drumul Cetății 4, Bistrița  
T: +40 263 238 142    Bistrița-Năsăud  
F: +40 263 234 010    420129, România

[www.facebook.com/baterii.rombat](https://www.facebook.com/baterii.rombat)  
[www.rombat.ro](http://www.rombat.ro)