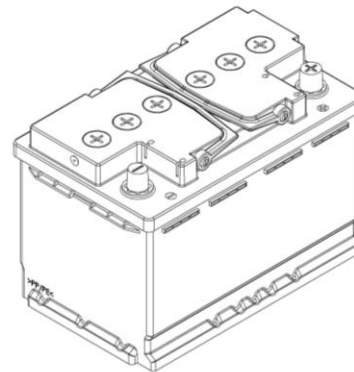
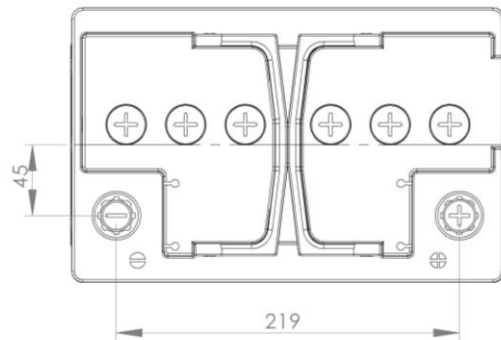
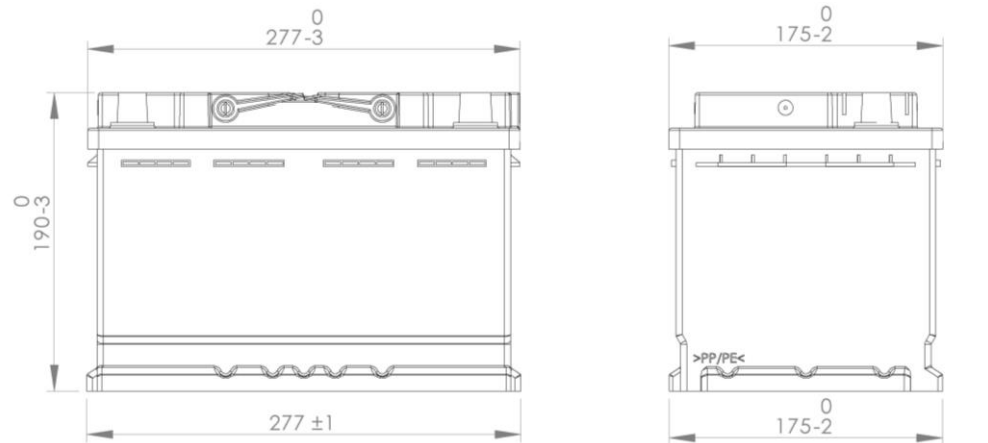


ROMBAT TECHNICAL DATA SHEET – L3 70Ah 600A PILOT



MANUFACTURER: S.C. ROMBAT S.A.

CODE: P370

APPLICATION: Auto

BRAND: PILOT

SPECIFICATION: 12V - 70Ah - 600A (EN)

TERMINAL POSITION: 0 (positive right)

SIZE (LxIhx): 277x175x190 (mm)

BOX TYPE: L3, PPCo, bottom hold down 10.5 mm – B13 (4 sides)

LID TYPE: PPCo Kamina lid with right side central venting hole, flame arrester, M18 plugs and IHL (integrated handle to cover)

ELECTROLYTE DENSITY ON DELIVERY: 1.28 ± 0.01 g/cm³

WATER LOST: Very Low

SEPARATOR: Polyethylene 0.9 mm

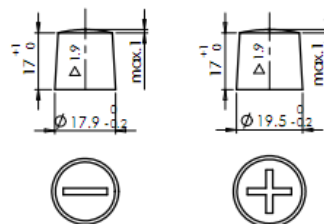
PACKAGING: 48 pieces/euro pallet (1200x800 mm)

SHIPMENT REGULATION:

- Normal for road transportation

- Special condition 8 class hazard UN2794 for see transportation

TERMINALS



E: rombat@rombat.ro Drumul Cetății 4, Bistrița
T: +40 263 238 142 Bistrița-Năsăud
F: +40 263 234 010 420129, România

www.facebook.com/baterii.rombat
www.rombat.ro