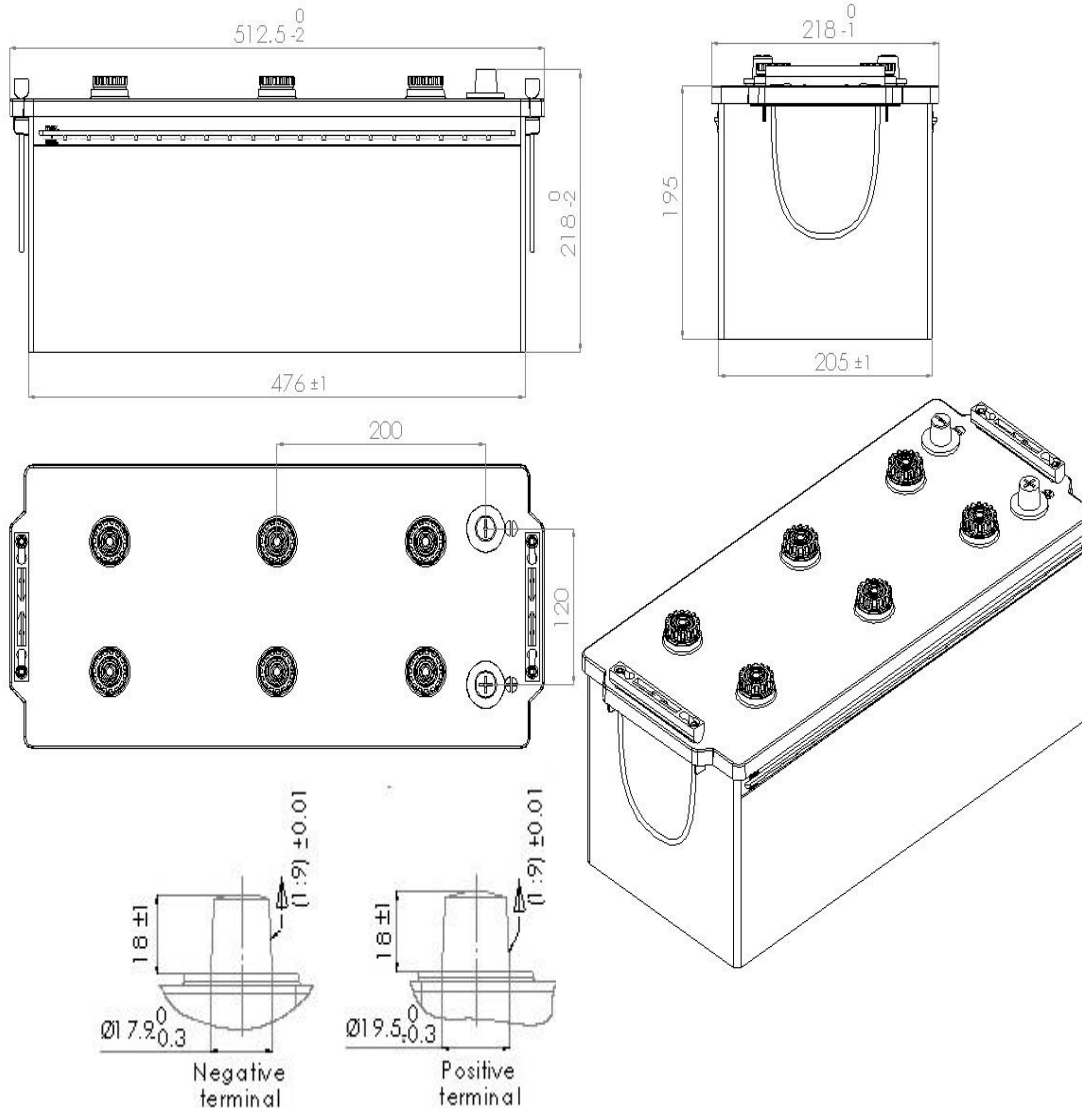


**ROMBAT TECHNICAL DATA SHEET – M15 180Ah 900A TERRA**



**MANUFACTURER: S.C. ROMBAT S.A.**

**CODE: T170G**

**APPLICATION: Auto**

**BRAND: TERRA**

**SPECIFICATION: 12V-180Ah-900A (EN)**

**TERMINAL POSITION: 3 (positive left)**

**SIZE (LxWxH): 513x218x218 (mm)**

**BOX TYPE: M15, PPCo, - B00 (4 sides), HL (handle to container)**

**LID TYPE: PPCo flat lid with M27 plugs**

**ELECTROLYTE DENSITY ON DELIVERY: 1.28 ± 0.01 g/cm3**

**WATER LOSS: Low**

**SEPARATOR: Polyethylene 1.4 mm**

**PACKAGING: 18 pieces/euro pallet (1200x800 mm)**

**SHIPMENT REGULATION:**

- Normal for road transportation

- Special condition 8 class hazard UN2794 for sea transportation