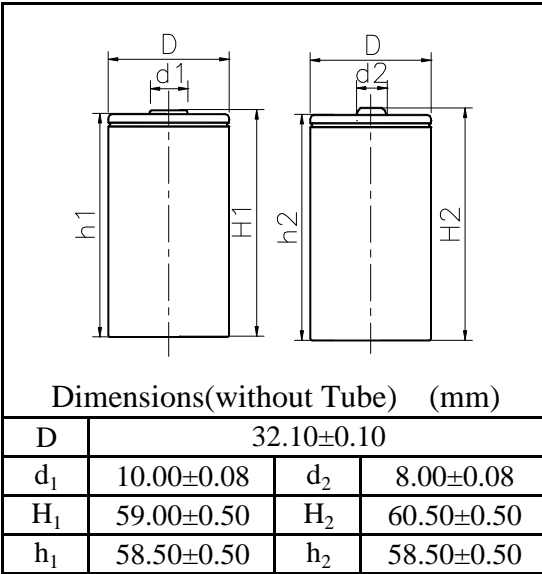


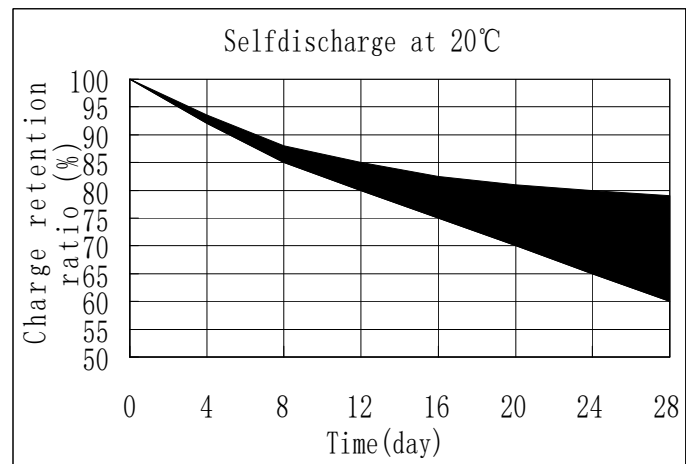
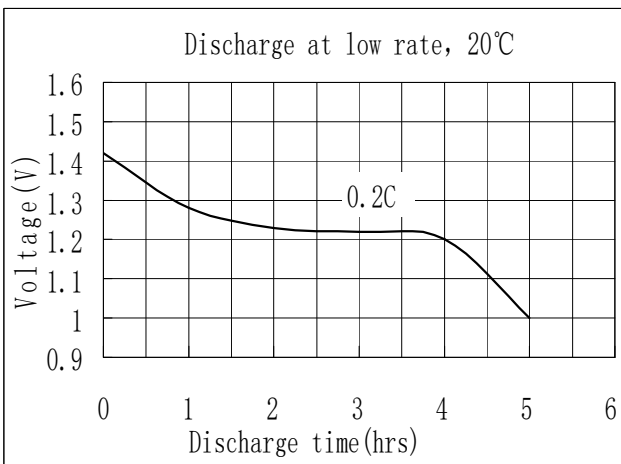
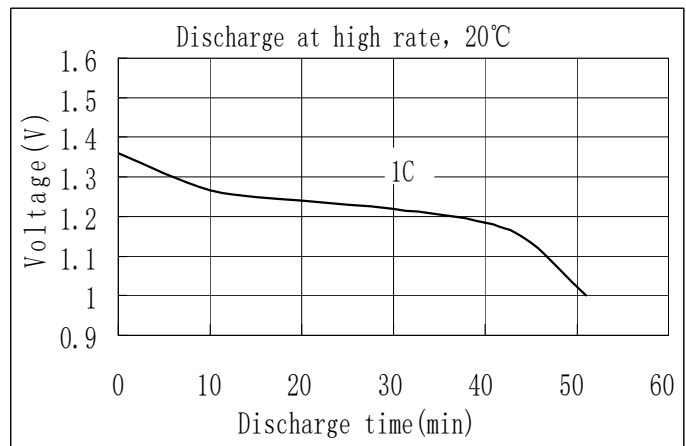
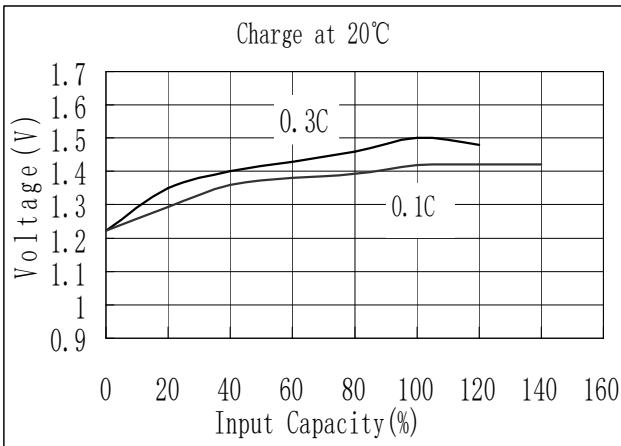
MODEL No: D9000

Description: 9000 mAh SIZE NI-MH D



Specification

Nominal Capacity		9000 mAh	
Nominal Voltage		1,2 V	
Charge current	Standard	900 mA	
	Fast	2700 mA	
Charge time	Standard	14~16 Hrs	
	Fast	4 Hrs	
Ambient Temperature	Charge	Standard	0°C~45°C
		Fast	10°C~45°C
	Discharge	-20°C~60°C	
Storage		-20°C~55°C	
Internal Impedance(mΩ) (After Charge)		≤ 9	
Weight		161,0 g	



We reserve the right to alter or amend the design, model and specification without prior notice.