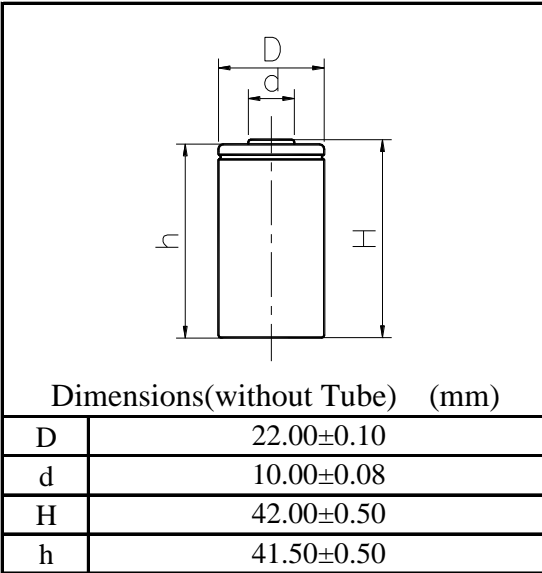


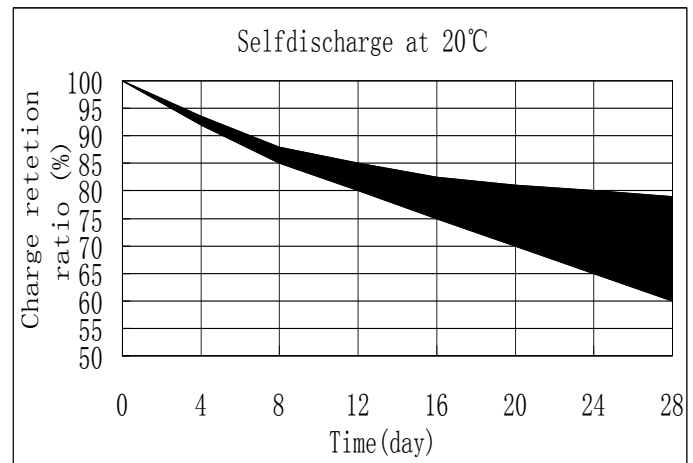
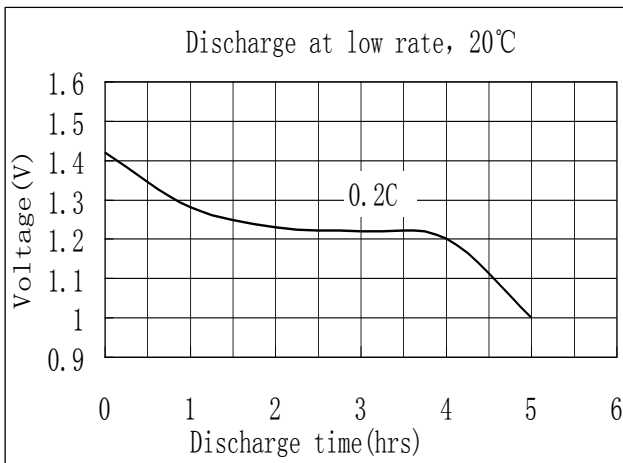
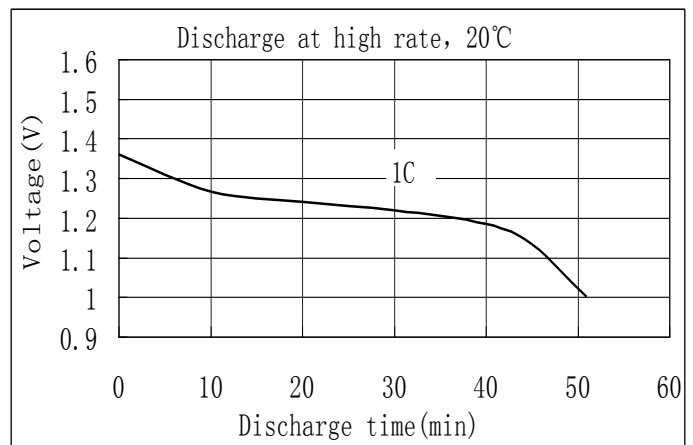
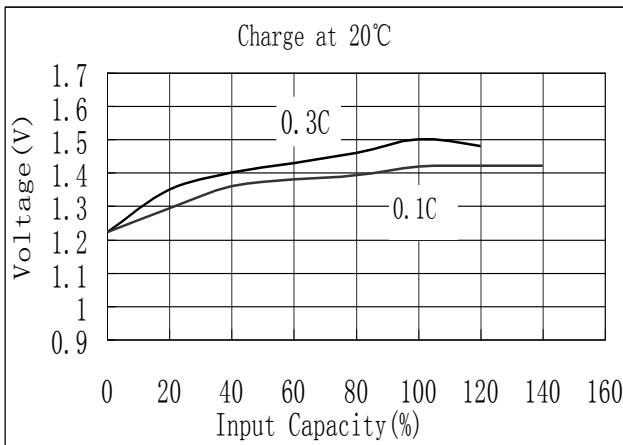
MODEL No: SC3000

Description: 3000 mAh SIZE NI-MH SC



Specification

| | | | |
|--|-----------|-----------|------------|
| Nominal Capacity | | 3000 mAh | |
| Nominal Voltage | | 1.2 V | |
| Charge current | Standard | 300 mA | |
| | Fast | 900 mA | |
| Charge time | Standard | 14~16 Hrs | |
| | Fast | 4 Hrs | |
| Ambient Temperature | Charge | Standard | 0°C~45°C |
| | | Fast | 10°C~45°C |
| | Discharge | | -20°C~60°C |
| | Storage | | -20°C~55°C |
| Internal Impedance(mΩ) (After Charge) | | ≤ 11 | |
| Weight | | 56.0 g | |



We reserve the right to alter or amend the design, model and specification without prior notice.