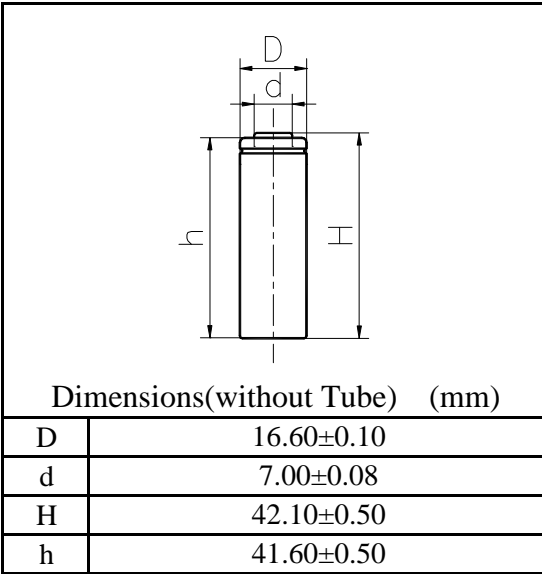


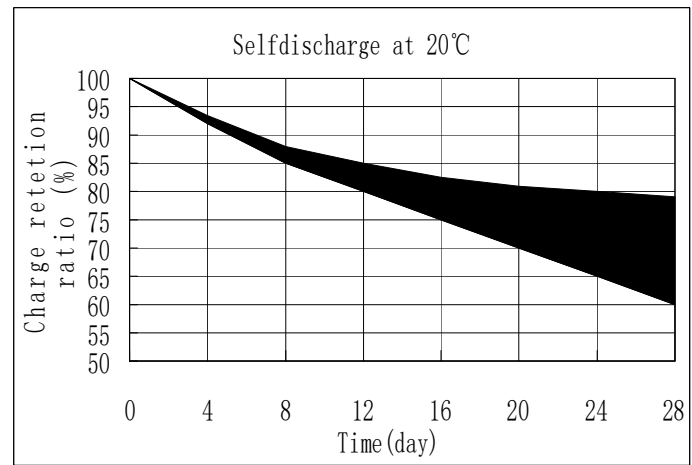
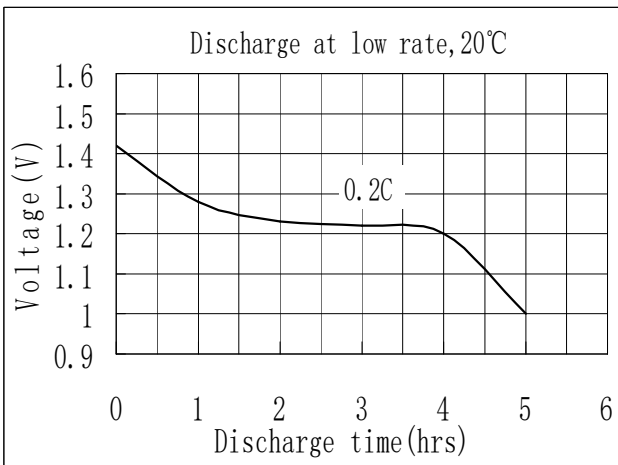
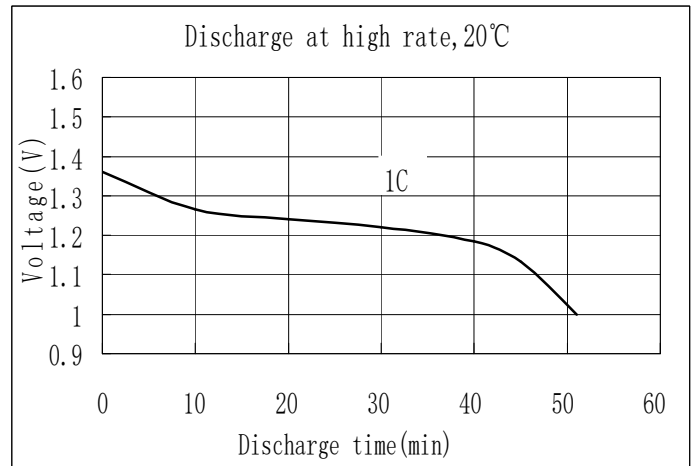
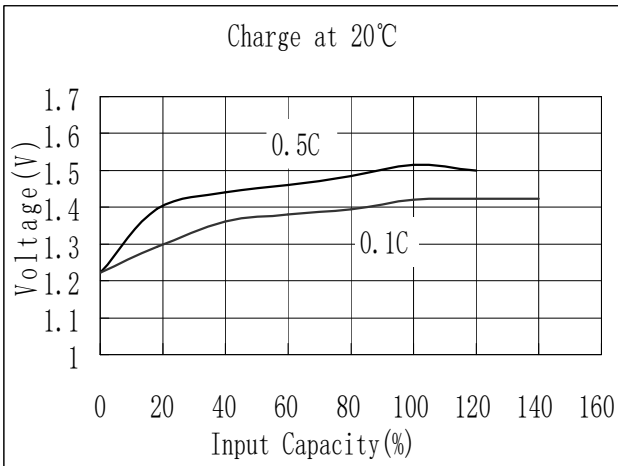
MODEL No: 1ASM1-8

Description: 1800 mAh SIZE NI-MH A



Specification

Nominal Capacity		1800 mAh
Nominal Voltage		1,2 V
Charge current	Standard	180 mA
	Fast	900 mA
Charge time	Standard	14~16 Hrs
	Fast	2,4 Hrs
Ambient Temperature	Charge	Standard 0°C~45°C
		Fast 10°C~45°C
	Discharge	-20°C~60°C
Storage		-20°C~55°C
Internal Impedance(mΩ) (After Charge)		≤ 26
Weight		30,5 g



We reserve the right to alter or amend the design, model and specification without prior notice.

