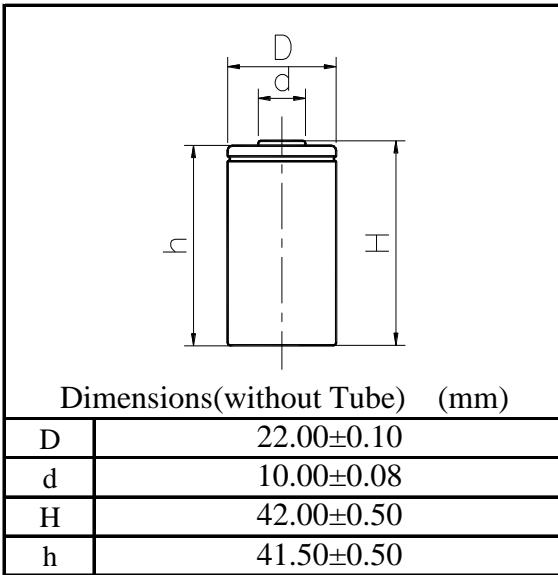


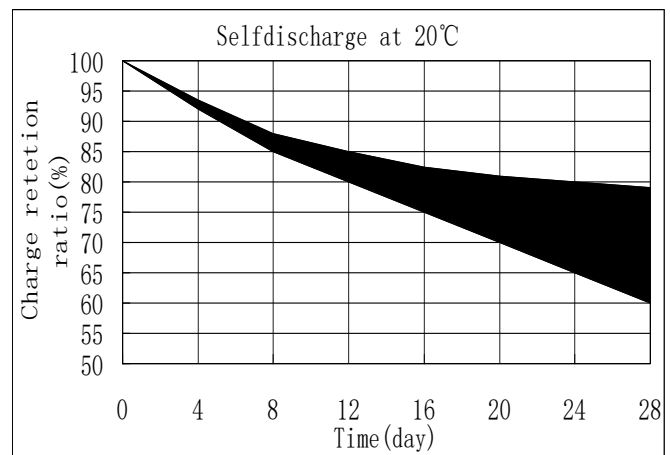
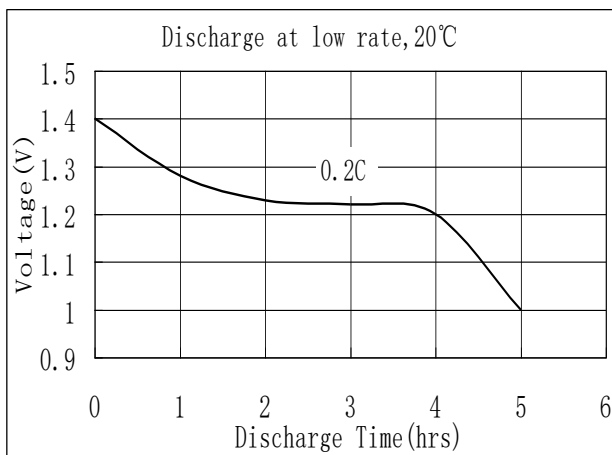
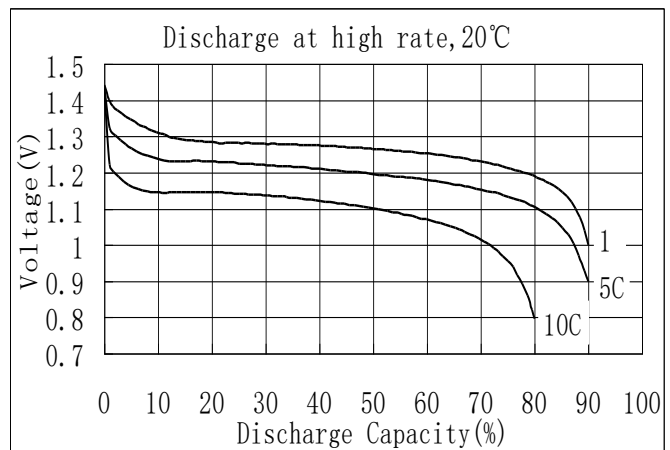
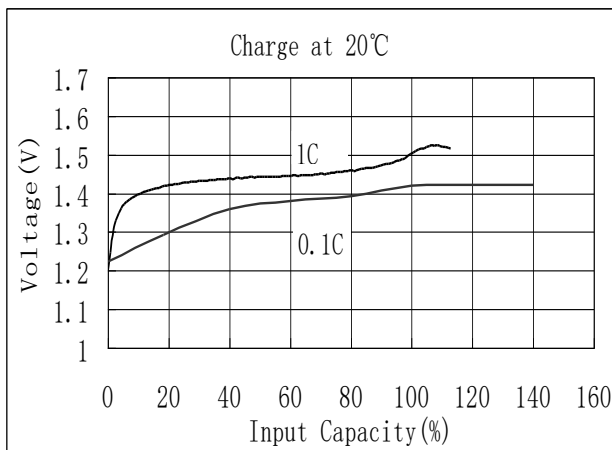
MODEL No: SC3000X

Description: 3000 mAh SIZE Ni-MH SC



Specification

Nominal Capacity		3000 mAh	
Nominal Voltage		1,2 V	
Charge current	Standard	300 mA	
	Fast	3000 mA	
Charge time	Standard	14~16 Hrs	
	Fast	1,1 Hrs	
Ambient Temperature	Charge	Standard	0°C~45°C
		Fast	10°C~45°C
	Discharge	-30°C~60°C	
	Storage	-20°C~55°C	
Internal Impedance(mΩ) (After Charge)		≤ 6	
Weight		57 g	



GYFRA reserve the right to alter or amend the design,model and specification without prior notice.

