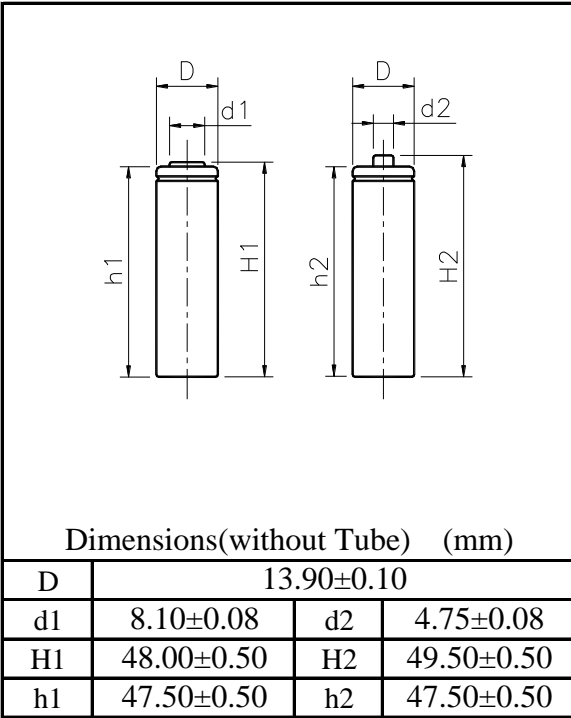


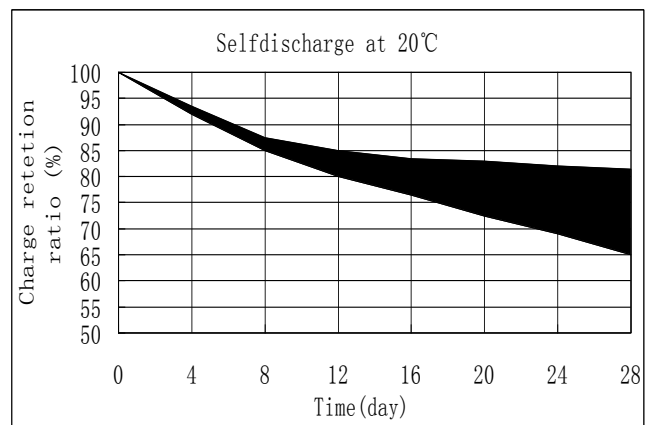
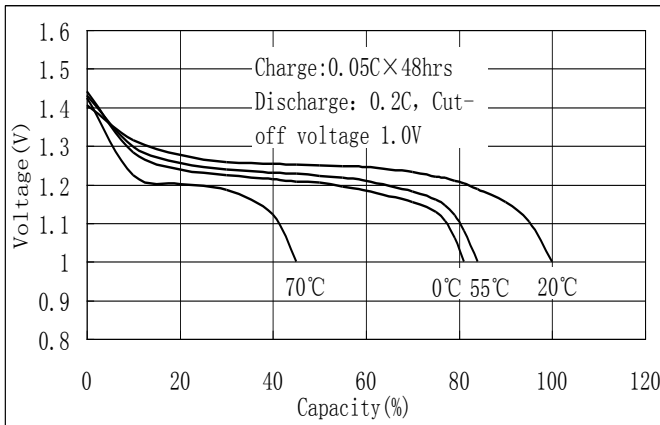
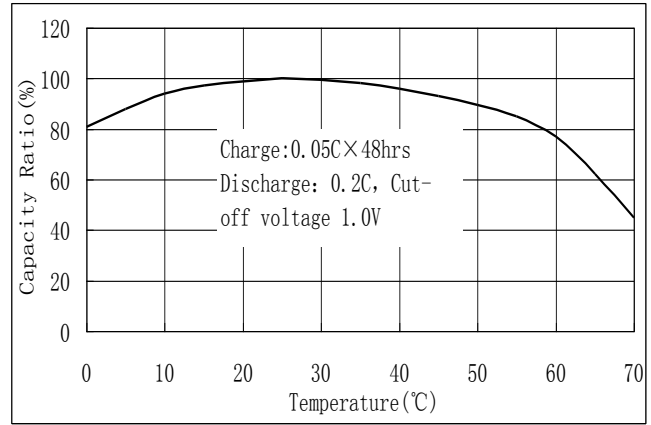
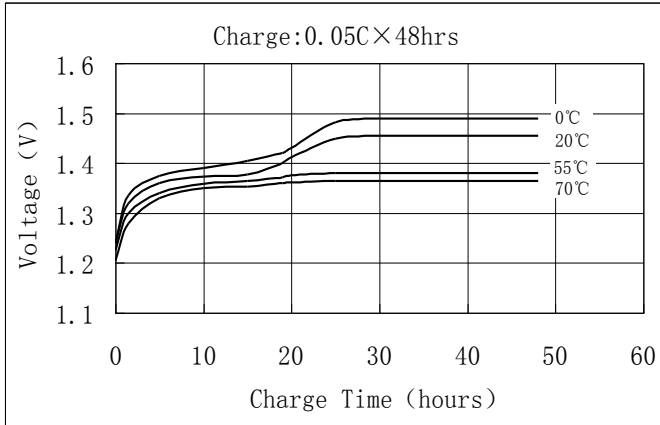
**MODEL No:** AA800H55

**Description:** 800 mAh SIZE Ni-Cd AA



**Specification**

Nominal Capacity		800 mAh	
Nominal Voltage		1.2 V	
Charge current	Trickle	40 mA	
	Standard	80 mA	
Charge time	Trickle	48 Hrs~	
	Standard	14~16 Hrs	
Ambient Temperature	Charge	Trickle	0°C~70°C
		Standard	0°C~70°C
	Discharge		-20°C~70°C
	Storage		-20°C~60°C
Internal Impedance(mΩ) (After Charge)		≤ 26	
Weight		21 g	



We reserve the right to alter or amend the design,model and specification without prior notice.