

# ODYSSEY<sup>®</sup> BATTERY

DINC size now available with

**ODYSSEY<sup>®</sup>  
CONNECT**



**100%**

**STRONGER  
FOR LONGER LIFE**

**30%**

**MORE DEEP-CYCLE  
CAPABILITY**



**215Ah 1250A CCA**



## AGM<sup>2</sup> TPPL Technology is Here

Today's professional vehicles are more demanding, with driver systems and hotel functions now requiring higher performance than conventional batteries were ever designed for.

ODYSSEY<sup>®</sup> AGM<sup>2</sup> batteries with TPPL (Thin Plate Pure Lead) technology provide the solution that can meet these new high power consumption demands.

With the DINC size now available with CONNECT<sup>™</sup> and CONNECT app, you can take control, giving you real-time data to be ahead of any issues and keep you on the road.



To find out more visit [eu.odysseybattery.com](http://eu.odysseybattery.com)



**EnerSys**  
Power/Full Solutions

# NEW ODYSSEY® Battery DIN Series line up for Heavy Duty vehicles

To meet the needs of today's heavy and professional vehicles EnerSys® has developed a range of ODYSSEY® battery DIN sizes. So, whether it's massive cranking power, servicing demanding hotel or auxiliary loads, or managing in extreme cold or heat there will be a battery to provide the solution.

## Optimised AGM<sup>2</sup> TPPL Range - DINC & ACEDINC

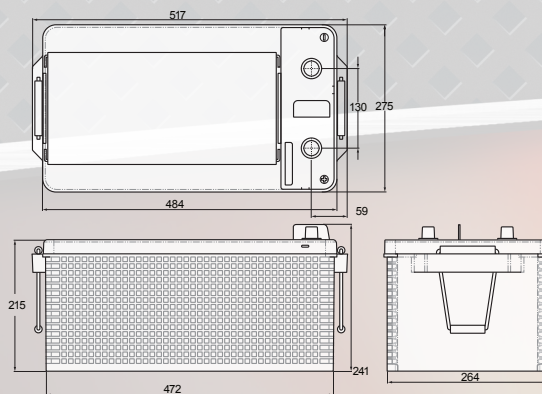
These batteries have been engineered and programmed to match the rigorous demands of heavy duty vehicle fleets – creating a battery with superb 'sprint' starting ability combined with exceptional deep cycle 'marathon' performance.

Available with or without revolutionary 'ACE' sensor technology, you can choose whether you require a 'Connected' solution using the ODYSSEY Battery Connect™ App or not.

- ✓ Measures voltage and temperature
- ✓ Stores battery history, characteristics and state of health
- ✓ Communicates using Bluetooth® 4.1
- ✓ EnerSys® patented technology
- ✓ App available on iOS and Android

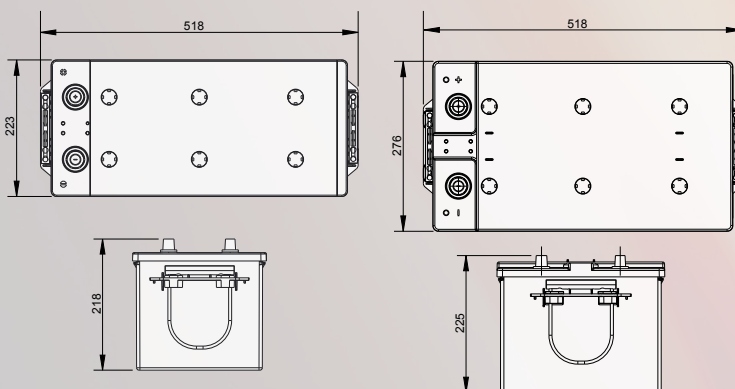
### ODYSSEY® CONNECT

ACE CHIP  
(NOT TO SCALE)



ODP-AGMDINC & ODP-ACEDINC

## AGM<sup>2</sup> TPPL Range - DIN B & DIN C



ODP-AGMDINB (629-DIN B-1300)

625-DIN C-1500

Model Name	Old Model Name	Voltage	20 Hr Rate	CCA	Length (mm)	Width (mm)	Max Height (mm)	Weight (kg)	Terminals	Country of Origin	Qty per Pallet
ODP-AGMDINB	629-DIN B-1300	12V	170Ah	1300A	518	223	218	53.3	SAE	FR	14
ODP-AGMDINC	New	12V	215Ah	1250A	517	275	241	64.7	SAE	FR	12
ODP-ACEDINC	New	12V	215Ah	1250A	517	275	241	64.7	SAE	FR	12
625-DIN C-1500	-	12V	220Ah	1500A	518	276	225	65.0	SAE	FR	12

\* All dimensions and capacities are nominal



**EnerSys World Headquarters**  
2366 Bernville Road  
Reading, PA 19605, USA

**EnerSys EMEA**  
EH Europe GmbH,  
Baarerstrasse 18,  
6300 Zug  
Switzerland

**EnerSys Asia**  
152 Beach Road,  
Gateway East Building #11-08,  
Singapore 189721

