



AGM LEAD ACID BATTERY

BATTERIE PLOMB AGM

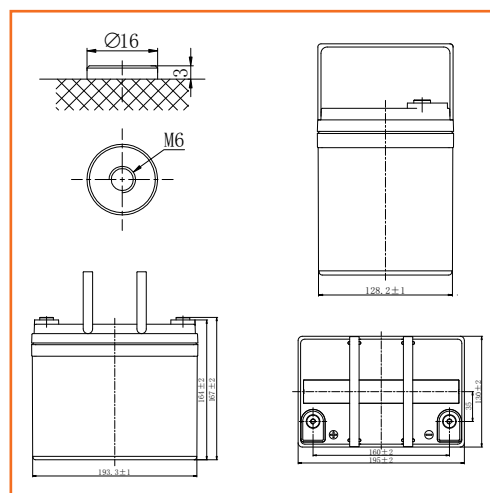
MAIN INFORMATION / INFORMATIONS GÉNÉRALES

BRAND	MARQUE	NX
TECHNOLOGY	TECHNOLOGIE	AGM Lead acid
NOMINAL VOLTAGE	TENSION NOMINALE	12V
DIMENSIONS (± 2mm)	DIMENSIONS (± 2mm)	
• Length / Longueur		195mm
• Width / Largeur		130mm
• Height / Hauteur		164mm
WEIGHT	POIDS	Approx 11.20kg (24.7lbs)
TERMINAL	TYPE DE COSSES	M6-F
CASING	TYPE DE BAC	UL94 HB (Standard ABS)



TECHNICAL INFORMATION / INFORMATIONS TECHNIQUES

CAPACITY / CAPACITÉ	35.0Ah/1.75A(20hr,1.75V/cell,25°C/77°F) 33.0Ah/3.31A (10hr,1.75V/cell,25°C/77°F) 30.1Ah/6.02A (5hr,1.75V/cell,25°C/77°F) 27.1Ah/9.03A (3hr,1.75V/cell,25°C/77°F) 23.8Ah/23.8A (1hr,1.60V/cell,25°C/77°F)
DISCHARGE CURRENT / COURANT DE DÉCHARGE	495A (5s)
INTERNAL RESISTANCE / RÉSISTANCE INTERNE	Approx 11mΩ
OPERATING TEMPERATURE RANGE / PLAGE DE TEMPÉRATURE	
• Discharging / Décharge	-15°~50°C (5 ~122°F)
• Charging / Charge	0°~40°C (32 ~104°F)
• Storage / Stockage	-15°~40°C (5 ~104°F)
NOMINAL OPERATING TEMPERATURE / TEMPÉRATURE D'UTILISATION	25 ± 3°C (77 ± 5°F)
CAPACITY VS TEMPERATURE / CAPACITÉ SELON LA TEMPÉRATURE	40°C (104°F) 103% 25°C (77°F) 100% 0°C (32°F) 86%



APPLICATIONS

Electric tools / Appareils électriques
Wheelchairs / Fauteuils roulants
Electric toys / Jouets électriques
Golf trolleys and golf cart / Charriots et voitures de golf
Fire alarms / Alarmes
Medical equipments / Équipements médicaux
Portable apparatus / Appareils portatifs



CONSTANT CURRENT DISCHARGE CHARACTERISTICS / CARACTÉRISTIQUES DE DÉCHARGE À COURANT CONSTANT

FV/Time	10min	15min	20min	30min	45h	1h	2h	3h	4h	5h	6h	8h	10h	20h
1.85V	78.45	60.39	48.85	35.96	26.28	21.53	12.25	8.74	6.89	5.86	5.02	3.96	3.235	1.711
1.80V	83.17	63.37	50.80	37.07	26.99	22.05	12.48	8.89	6.99	5.95	5.10	4.01	3.278	1.731
1.75V	86.50	65.47	52.21	38.03	27.58	22.50	12.71	9.03	7.08	6.02	5.16	4.06	3.310	1.750
1.70V	89.98	67.66	53.73	39.01	28.20	22.92	12.90	9.16	7.18	6.11	5.22	4.10	3.344	1.764
1.65V	92.50	69.33	54.84	39.69	28.65	23.27	13.04	9.25	7.25	6.16	5.27	4.13	3.368	1.778
1.60V	96.42	71.71	56.47	40.76	29.36	23.79	13.30	9.42	7.38	6.26	5.34	4.19	3.411	1.797

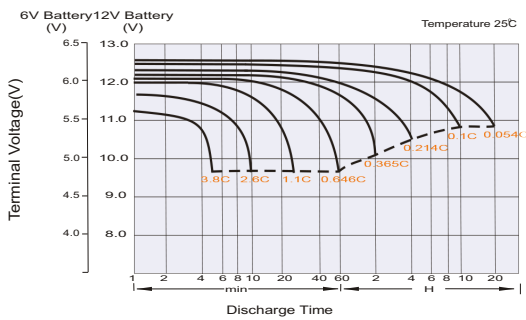
Units: Amperes (25°C, 77°F)

CONSTANT POWER DISCHARGE / CARACTÉRISTIQUES DE DÉCHARGE À COURANT CONSTANT

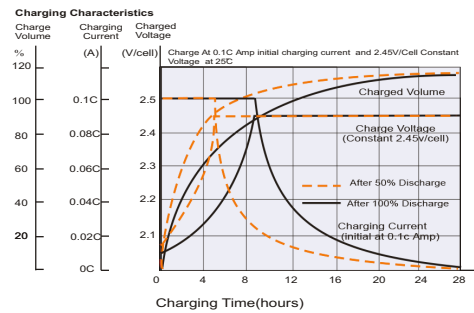
FV/Time	10min	15min	20min	30min	45h	1h	2h	3h	4h	5h	6h	8h	10h	20h
1.85V	149.32	115.64	94.11	69.51	50.99	30.63	23.99	17.19	13.58	11.58	9.93	7.84	6.427	3.422
1.80V	157.19	120.61	97.33	71.34	52.18	31.17	24.38	17.44	13.75	11.73	10.08	7.95	6.510	3.462
1.75V	162.34	123.85	99.50	72.86	53.11	31.64	24.75	17.67	13.91	11.86	10.18	8.03	6.567	3.500
1.70V	167.65	127.21	101.82	74.37	54.09	32.11	25.06	17.89	14.08	12.01	10.28	8.10	6.632	3.528
1.65V	171.44	129.95	103.70	75.52	54.81	32.45	25.29	18.05	14.19	12.09	10.37	8.16	6.675	3.556
1.60V	176.44	133.50	106.26	77.17	55.83	33.00	25.70	18.33	14.41	12.26	10.49	8.27	6.754	3.595

Units: Amperes (25°C, 77°F)

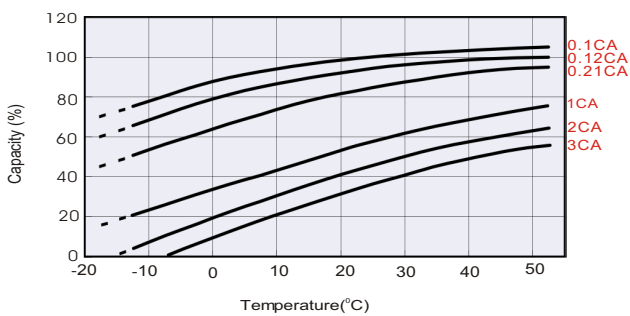
DISCHARGE CHARACTERISTICS / CARACTÉRISTIQUES DE DÉCHARGE



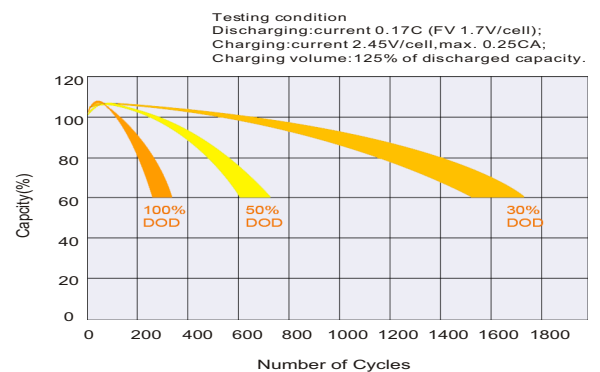
FLOAT CHARGING CHARACTERISTICS / CARACTÉRISTIQUES DE CHARGE EN FLOATING



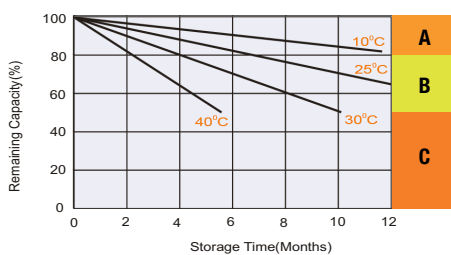
TEMPERATURE EFFECTS IN RELATION TO BATTERY CAPACITY / EFFET DE LA TEMPÉRATURE SUR LA BATTERIE



CYCLE LIFE IN RELATION TO DEPTH OF DISCHARGE / CYCLE DE VIE FONCTION DE LA PROFONDEUR DE LA DÉCHARGE



SELF DISCHARGE CHARACTERISTICS / CARACTÉRISTIQUES D'AUTO-DÉCHARGE



A No supplementary charge required (Carry out supplementary charge before use if 100% capacity is required.)

B Supplementary charge required before use. Optional charging way as below:
 1. Charged for above 3 days at limited current 0.25CA and constant voltage 2V/cell.
 2. Charged for above 20hours at limited current 0.25CA and constant voltage 2.45V/cell.
 3. Charged for 8-10hours at limited current 0.05CA.

C Supplementary charge may often fail to recover the capacity. The battery should never be left standing till this is reached.

