



# AGM LEAD ACID BATTERY

## BATTERIE PLOMB AGM

### 3.2-12 General Purpose FR F4.8

#### MAIN INFORMATION / INFORMATIONS GÉNÉRALES

<b>BRAND / MARQUE</b>	NX
<b>TECHNOLOGY / TECHNOLOGIE</b>	AGM Lead acid
<b>NOMINAL VOLTAGE / TENSION NOMINALE</b>	12V
<b>NOMINAL CAPACITY / CAPACITÉ NOMINALE (C<sub>20</sub>, 1.75V/cell)</b>	3.5Ah
<b>DIMENSIONS / DIMENSIONS</b>	
• <b>Length / Longueur</b>	134 ± 2mm (5.28 inches)
• <b>Width / Largeur</b>	67 ± 1mm (2.64 inches)
• <b>Height / Hauteur</b>	59.5 ± 1mm (2.34 inches)
• <b>Total height with terminals / Hauteur totale (avec cosSES)</b>	65.5 ± 1mm (2.58 inches)
<b>WEIGHT ( ± 2 % ) / POIDS ( ± 2 % )</b>	Approx.1.19kg (2.62lbs)
<b>TERMINAL / TYPE DE COSSES</b>	F4.8 = FASTON 4.8
<b>CASING / TYPE DE BAC</b>	UL94 V-0 (Flame retardant)

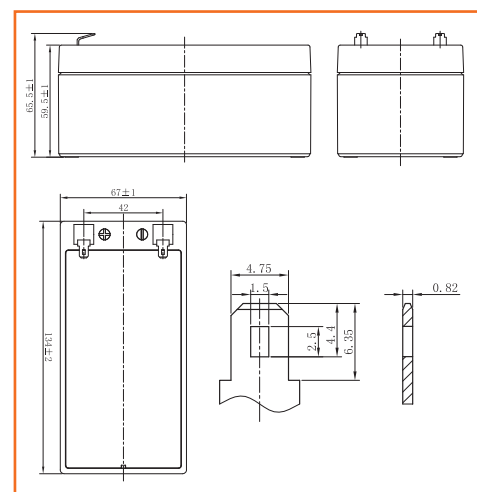


#### TECHNICAL INFORMATION / INFORMATIONS TECHNIQUES

<b>CAPACITY / CAPACITÉ</b>	3.50 Ah / 0.175A (20hr,1.75V/cell,25°C/77°F)
	3.31 Ah / 0.331A (10hr,1.75V/cell,25°C/77°F)
	3.01 Ah / 0.602A (5hr,1.75V/cell,25°C/77°F)
	2.62 Ah / 0.872A (3hr,1.75V/cell,25°C/77°F)
	2.15 Ah / 2.15A (1hr,1.60V/cell,25°C/77°F)
<b>DISCHARGE CURRENT / COURANT DE DÉCHARGE</b>	53A (5s)
<b>INTERNAL RESISTANCE / RÉSISTANCE INTERNE</b>	Approx 40mΩ
<b>OPERATING TEMPERATURE RANGE / PLAGE DE TEMPÉRATURE</b>	
• <b>Discharging / Décharge</b>	-15°~50°C (5 ~122°F)
• <b>Charging / Charge</b>	-20°~40°C (-4 ~104°F)
• <b>Storage / Stockage</b>	-15°~40°C (5 ~104°F)
<b>NOMINAL OPERATING TEMPERATURE / TEMPÉRATURE D'UTILISATION</b>	25 ± 3°C (77 ± 5°F)
<b>CAPACITY VS TEMPERATURE / CAPACITÉ SELON LA TEMPÉRATURE</b>	40°C (104°F) 103%
	25°C (77°F) 100%
	0°C (32°F) 86%

#### Terminal

Unité : mm / Unit: inches



#### APPLICATIONS / APPLICATIONS

**All purpose / Tout usage**

**UPS / Onduleur**

**Emergency light / Éclairage de secours**

**Railway signal / Signalisation ferroviaire**

**Alarm and security system / Alarme et sécurité**

**Aircraft signal / Signal d'avion**

**Electronic devices and equipment / Appareils et équipements électroniques**

**Emergency backup / Alimentation de secours**

**Power supply / Réserve d'énergie**

www.enix-energies.com • Date: 2023-03-09



1 / 2

OUTLINE SAFETY WARNING: USE ONLY WITHIN THE ALLOWED PARAMETERS. Do not short circuit or over-load the battery. Charge only using an approved charger designed specifically to charge this battery. Do not heat above maximum temperatures indicated. Never crush, mutilate, puncture or abuse the battery. Do not dismantle the pack or disable any of the protective devices or circuits. DO NOT USE THE BATTERY IF YOU SUSPECT IT MAY BE FAULTY OR DAMAGED.

© Copyright Enix Energies 2005. NB: This document and the product design are the intellectual property of Enix Energies. No document or design may be copied or used for commercial purposes without written permission of Enix Energies. Users must satisfy themselves, by means of testing etc, that products are suitable for their application. Data in this document is for general guidance only; consult cell manufacturers data for definitive information. Information is given free of charge and in good faith, but no responsibility can be accepted for any errors or omission or costs or losses or liabilities arising from the use of this information. All business is conducted to Enix Energies terms and conditions only.

**CONSTANT CURRENT DISCHARGE CHARACTERISTICS / CARACTÉRISTIQUES DE DÉCHARGE À COURANT CONSTANT**

FV/Time	5min	10min	15min	20min	30min	45min	1h	1.5h	2h	3h	4h	5h	6h	8h	10h	20h
1.85V/cell	10.6	7.36	5.72	4.66	3.43	2.47	1.94	1.45	1.15	0.845	0.681	0.586	0.502	0.396	0.323	0.171
1.80V/cell	11.4	7.80	6.01	4.84	3.53	2.54	1.99	1.48	1.18	0.859	0.691	0.595	0.510	0.401	0.328	0.173
1.75V/cell	12.0	8.11	6.21	4.98	3.62	2.59	2.03	1.50	1.20	0.872	0.700	0.602	0.516	0.406	0.331	0.175
1.70V/cell	12.5	8.44	6.41	5.12	3.72	2.65	2.07	1.53	1.21	0.885	0.710	0.611	0.522	0.410	0.334	0.176
1.67V/cell	13.0	8.67	6.57	5.23	3.78	2.69	2.10	1.55	1.23	0.894	0.717	0.616	0.527	0.413	0.337	0.178
1.60V/cell	13.8	9.04	6.80	5.38	3.88	2.76	2.15	1.58	1.25	0.910	0.729	0.626	0.534	0.419	0.341	0.180

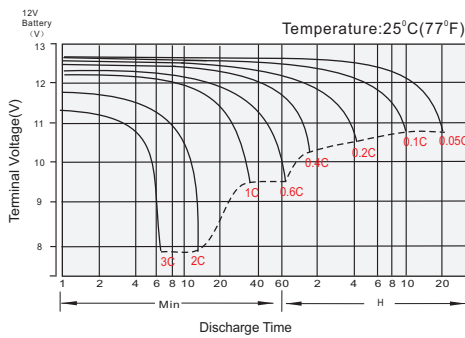
Units: Amperes (25°C, 77°F)

**CONSTANT POWER DISCHARGE CHARACTERISTICS / CARACTÉRISTIQUES DE DÉCHARGE À PUISSANCE CONSTANTE**

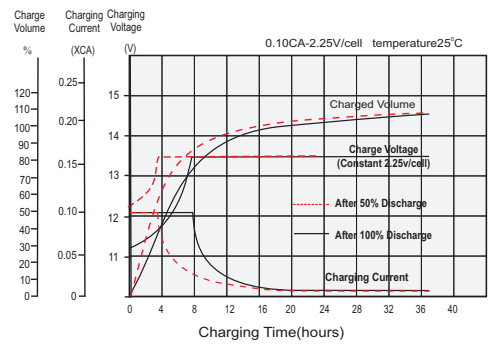
FV/Time	5min	10min	15min	20min	30min	45min	1h	1.5h	2h	3h	4h	5h	6h	8h	10h	20h
1.85V/cell	20.0	14.0	11.0	8.97	6.62	4.79	3.78	2.82	2.26	1.66	1.34	1.16	0.99	0.784	0.643	0.342
1.80V/cell	21.3	14.7	11.4	9.28	6.80	4.90	3.86	2.87	2.29	1.68	1.36	1.17	1.01	0.795	0.651	0.346
1.75V/cell	22.2	15.2	11.7	9.48	6.94	4.99	3.93	2.92	2.33	1.71	1.38	1.19	1.02	0.803	0.657	0.350
1.70V/cell	23.0	15.7	12.1	9.70	7.09	5.08	3.99	2.96	2.36	1.73	1.39	1.20	1.03	0.810	0.663	0.353
1.67V/cell	23.6	16.1	12.3	9.88	7.20	5.15	4.04	2.99	2.38	1.74	1.40	1.21	1.04	0.816	0.668	0.356
1.60V/cell	24.6	16.5	12.7	10.1	7.36	5.24	4.11	3.04	2.42	1.77	1.42	1.23	1.05	0.827	0.675	0.359

Units: Amperes (25°C, 77°F)

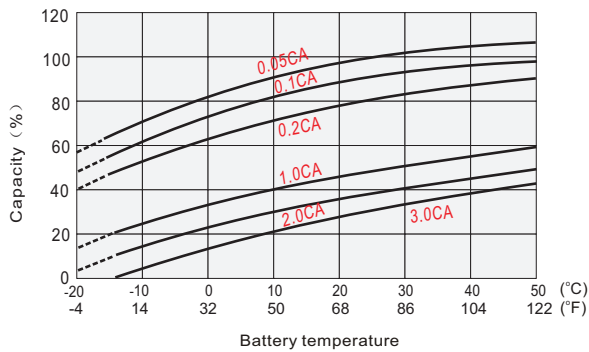
**DISCHARGE CHARACTERISTICS (25°C)  
CARACTÉRISTIQUES DE DÉCHARGE**



**FLOAT CHARGING CHARACTERISTICS  
CARACTÉRISTIQUES DE CHARGE EN FLOATING**



**TEMPERATURE EFFECTS IN RELATION TO BATTERY CAPACITY  
EFFETS DE LA TEMPÉRATURE SUR LA CAPACITÉ DE LA BATTERIE**



**EFFECT OF TEMPERATURE ON LONG TERM FLOAT LIFE  
EFFET DE LA TEMPÉRATURE SUR LA DURÉE DE VIE EN FLOATING À LONG TERME**

