

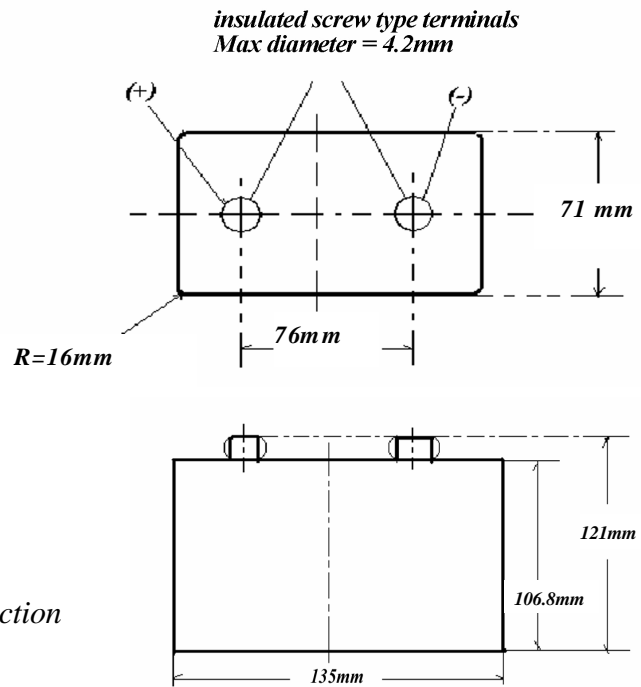


PRODUCT DATA SHEET
ARH0001 - PORTO – Lantern Battery NiMH

DIMENTION DATA

Nominal Voltage: 6.0V
 Chemical System: Nickel Metal Hydrure
 IEC No: Equivalent to 4R25-2
 Appr. Weight: 700 gr
 Appr Volume: 1159.79 cm³ (70.72 in³)
 Environmental: 0% mercury added
 Shelf life: 300 to 500 cycles
 Open Circuit Voltage(Initial): < 6.6 +0.3 V

Short Circuit Current (A): = 4A
 Jacket: Plastic Shell -Fuse of protection



TYPICAL SERVICE OUTPUT

Application & Duty Cycle	Estimated Average Service		Approx. mAh Capacity to End-point
	At 20±2° C	Cutoff Voltage	
		4.4V	
Halogen bulb 5,2V 0,85A	7h	minimum	8000

* **High temperature leakage-proof test:** that is to keep the battery in a cabinet dryer for 48hours, at a temperature 45±2°C and relative humidity 35%-65% , and then no deformation and no external electrolyte leakage shall be observed.

***Caution for use:** since the battery is manufactured for recharging, it must be used with the appropriate charger. The battery shall be installed with "+" and "-" in correct position.

Short-circuiting, heating, disposing of into disassembling the battery is prohibited.