



NIMH PRISMATIC BATTERY

ACCUMULATEUR NIMH

9V 270mAh

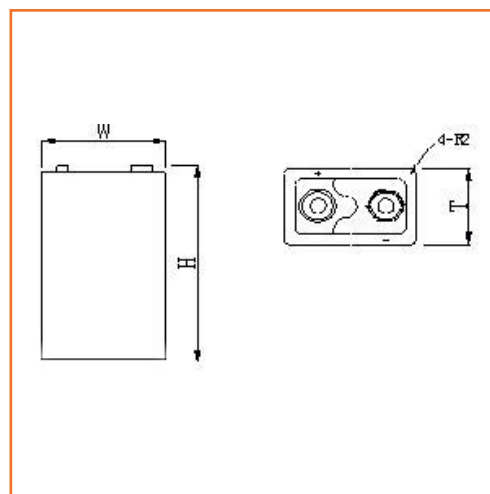
MAIN INFORMATION / INFORMATIONS GÉNÉRALES

BRAND	MARQUE	nx-ready xtrem
TECHNOLOGY	TECHNOLOGIE	Nickel-métal hydrure
VOLTAGE	TENSION	9V
CAPACITY	CAPACITÉ	270mAh
WEIGHT	POIDS	45Gr
OPERATING TEMPERATURE RANGE	PLAGE DE TEMPÉRATURE DE FONCTIONNEMENT	Humidity: +65%± 20% Standard charge 0 to +45°C (32 to 113°F) Rapid charge +10 to +45°C (50 to 113°F) Discharge -20 TO +65°C (-4 TO 149°F)
STORAGE TEMPERATURE RANGE	PLAGE DE TEMPÉRATURE DE STOCKAGE	Humidity: +65%±20% Within 1 year -20 to +35°C (-4 to 95°F) Within 6 months -20 to +45°C (-4 to 113°F) Within 1 month -20 to +55°C (-4 to 131°F) Within 1 week -20 to +65°C (-4 to 14°F)
PART NUMBER	PART NUMBER	7HF270



DIMENSIONS / DIMENSIONS

W	26.5mm
H	48.5mm
T	16.8mm



STANDARDS / NORMES

This cell complies with IEC standards below / Cette cellule respecte les normes : **IEC51/IEC485**