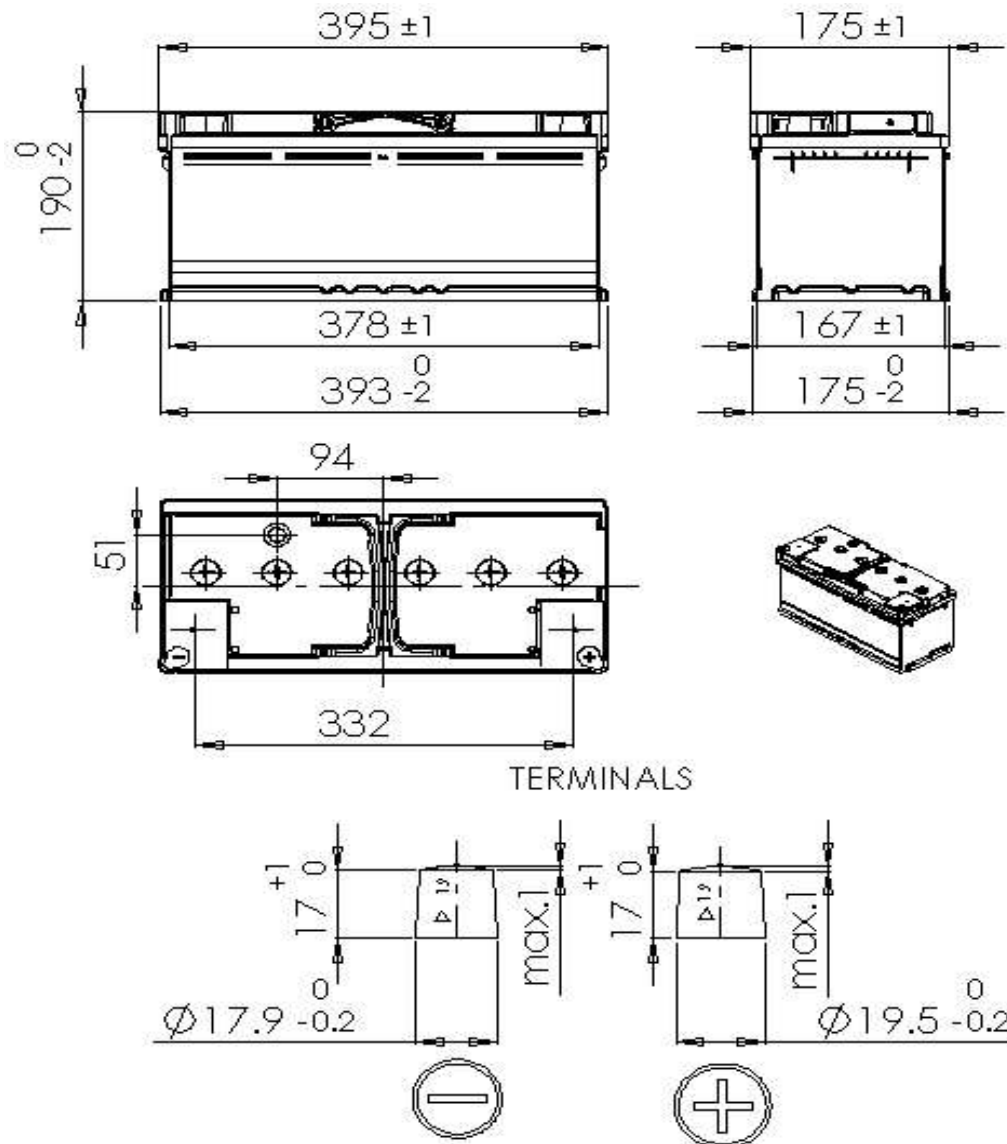


**ROMBAT TECHNICAL DATA SHEET – L6 110Ah 950A TUNDRA**



**MANUFACTURER: S.C. ROMBAT S.A.**

**CODE: TEFB6110**

**APPLICATION: Auto**

**BRAND: TUNDRA**

**SPECIFICATION: 12V - 110Ah - 950A (EN)**

**TERMINAL POSITION: 0 (positive right)**

**SIZE (LxIhx): 395x175x190 (mm)**

**BOX TYPE: L6, PPCo, bottom hold down 10.5 mm – B13 (4 sides)**

**LID TYPE: PPCo Kamina lid with right side central venting hole, flame arrestor, hydrometer, M18 plugs and IHL (integrated handle to cover)**

**ELECTROLYTE DENSITY ON DELIVERY: 1.28 ± 0.01 g/cm3**

**WATER LOST: Very Low**

**SEPARATOR: Polyethylene**

**PACKAGING: 36 pieces/euro pallet**

**SHIPMENT REGULATION:**

- Normal for road transportation
- Special condition 8 class hazard UN2794 for sea transportation

E: rombat@rombat.ro    Drumul Cetății 4, Bistrița  
T: +40 263 238 142    Bistrița-Năsăud  
F: +40 263 234 010    420129, România

www.facebook.com/baterii.rombat  
 www.rombat.ro