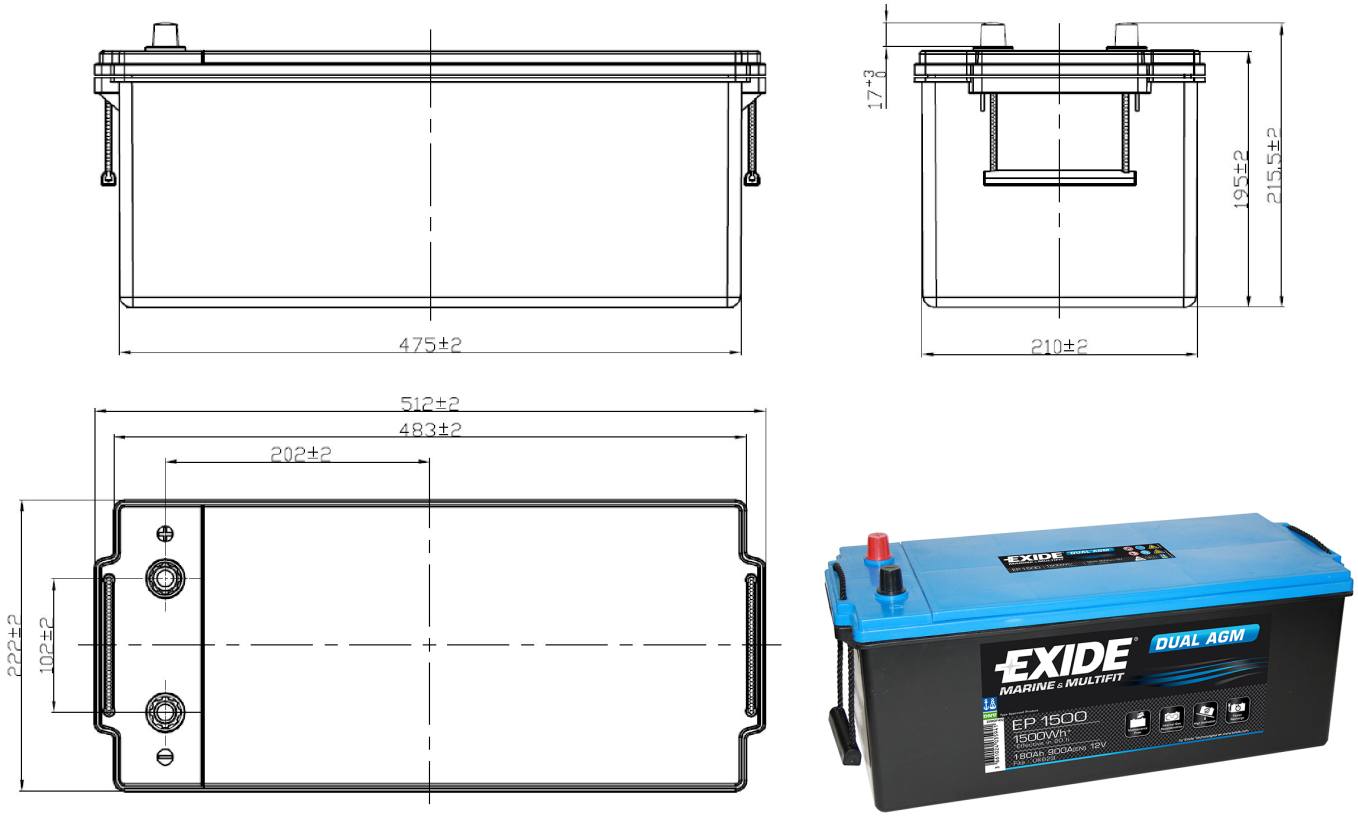


Central Article Code: D05090A22-A

ETN Code or Other: LPC12-180

Created: 08/06/2010

Modified: 29/09/2010



PERFORMANCES		CONTAINER	
Voltage (V):	12 V	Type:	D05 BLACK
C20 (Ah):	180.0 20 h	Hold Down:	B0
Rc (min):	0	H. D. Adapter:	No
Cranking (A):	900 EN	COVER	
Vibration:	V3 (35Hz/6g/20h)	Type:	Double without BLUE LIGHT
Endurance:	300 cycles@75%	Polarity:	ETN 3
Charge:	CHARGED	Terminals:	EN taper post
Technology:	AGM	Terminal Adapter:	No
Grid :	Ca/Ca	SOCI:	No
WEIGHT AND STD. DIMENSIONS		Ventilation:	Central
Battery Weight (kg):	54.23	Filter:	1 Filter Negative side
Volume acid (l):	0.00	Lateral Plug:	No
Length (mm):	513	PLUGS	
Width (mm):	223	Type:	1 x Valve+Cover BLUE LIGHT
Height (mm):	223	HANDLES	
		Type:	2 x Rope (Rigid holder) BLACK
		OTHERS	
		Degassing Tube:	No