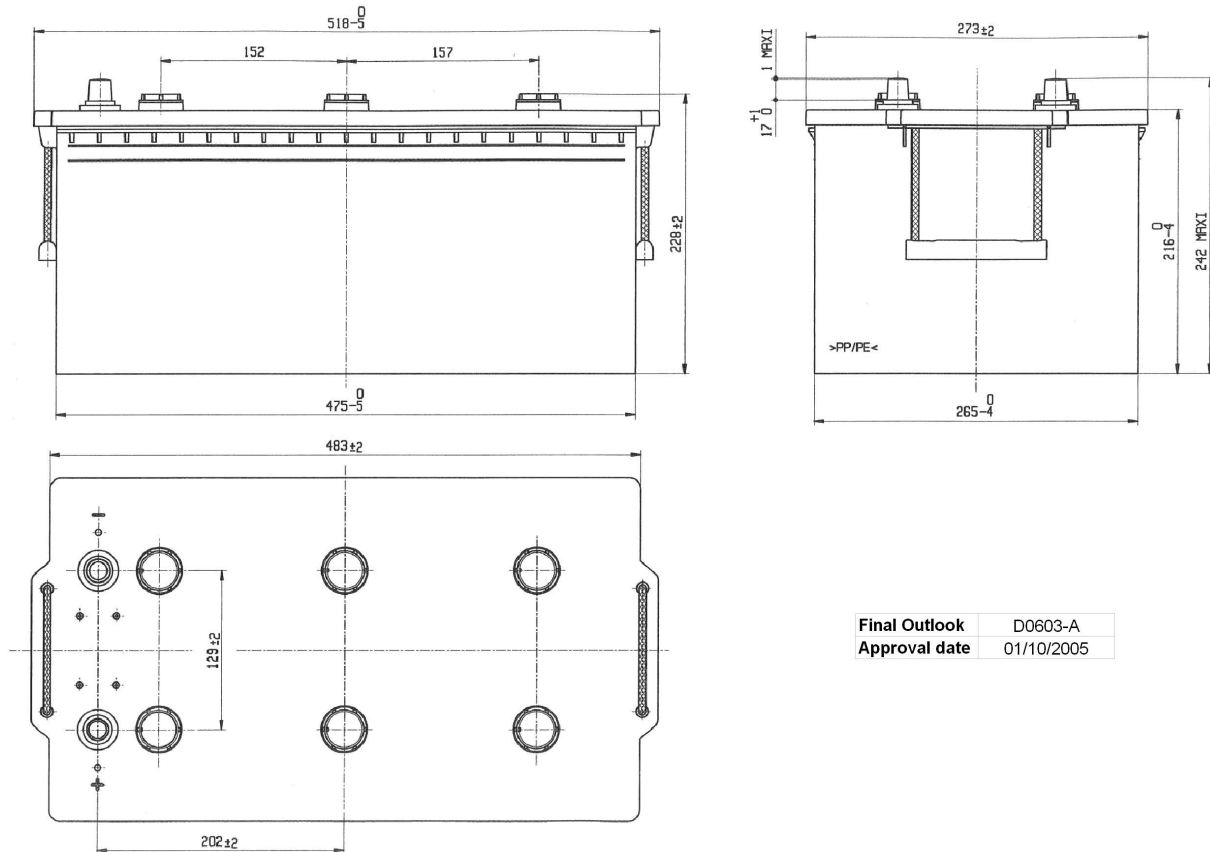


Central Article Code: D06120C03-A
 Local Code: FG2254

Created: 21/05/2014
 Modified: 11/01/2021



Final Outlook D0603-A
 Approval date 01/10/2005

PERFORMANCES		CONTAINER	
Voltage (V):	12 V	Type:	D06 BLACK
C20 (Ah):	225.0 20 h	Hold Down:	B0
Cranking (A):	1200 EN	H.D. Adapter:	No
Charge:	WET	COVER	
Technology:	Vented/Flooded	Type:	Flat/Screw BLACK
Grid:	Ca/Ca	Polarity:	ETN 4
		Terminals:	EN taper post
		Terminal Adapter:	No
		SOCI:	No
		Ventilation:	Independent
		Filter:	No
		Lateral Plug:	No
STD. DIMENSIONS		PLUGS	
Length (mm ± 2):	518	Type:	6 x M27 BLACK
Width (mm ± 2):	274	HANDLES	
Height (mm ± 2):	240	Type:	2 x Rope (Rigid holder) BLACK
		OTHERS	
		Degassing Tube:	No

All figures show nominal values. Tolerances are according to EN50342 and applicable European Regulations.