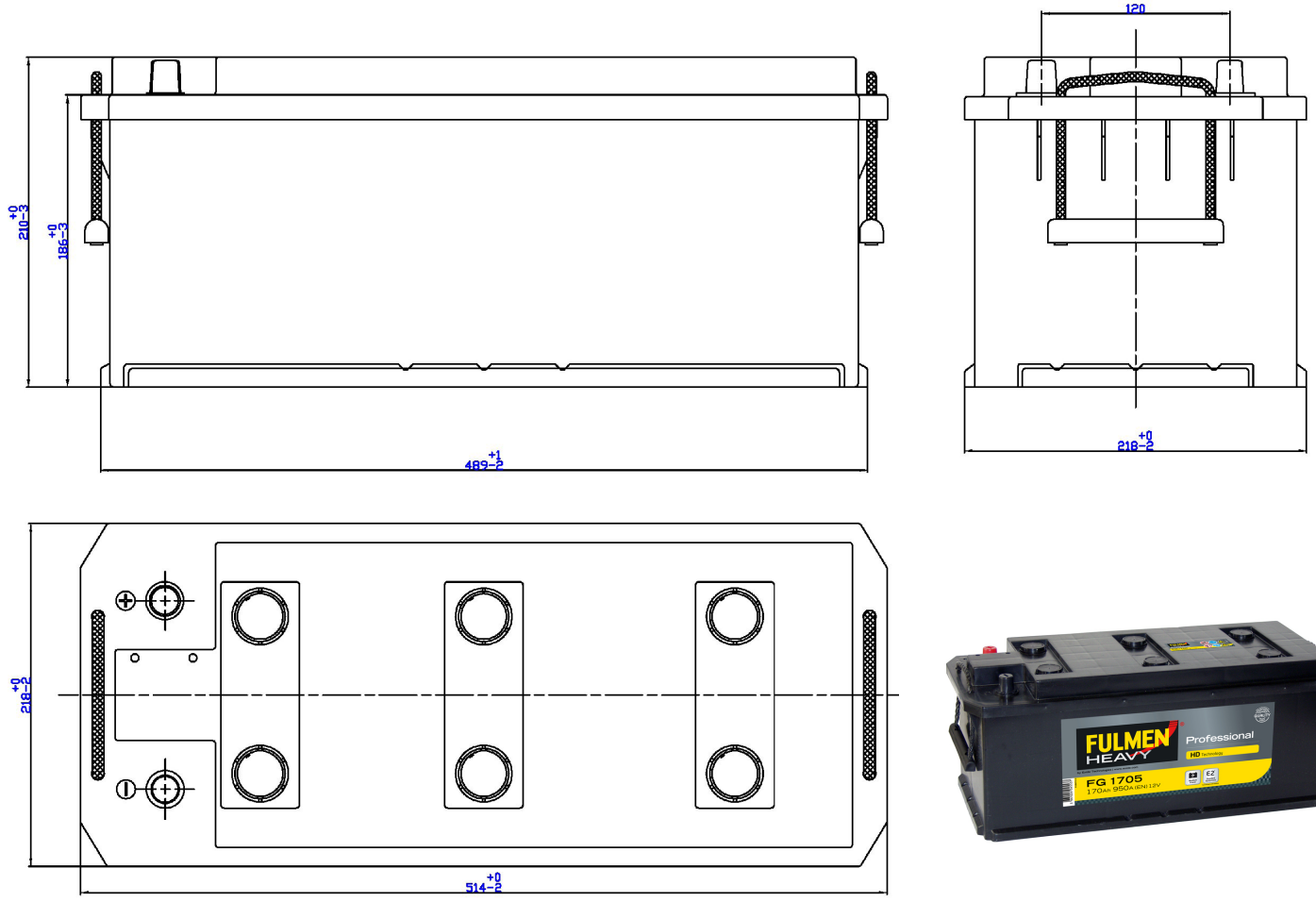


Central Article Code: DB9095W02-A
ETN Code or Other: 643 023 095

Created: 06/09/2005
Modified: 10/07/2007



PERFORMANCES		CONTAINER	
Voltage (V):	12 V	Type:	DB9 BLACK
C20 (Ah):	170.0 20 h	Hold Down:	B3
Rc (min):	0	H. D. Adapter:	No
Cranking (A):	950 EN	COVER	
Vibration:	V2 (35Hz/6g/2h)	Type:	DIN BLACK
Endurance:	E2 (90 cycles@50%)	Polarity:	ETN 3
Charge:	WET	Terminals:	EN taper post
Technology:	Vented/Flooded	Terminal Adapter:	No
Grid :	Hybrid	SOCI:	No
WEIGHT AND STD. DIMENSIONS		Ventilation:	Independent
Battery Weight (kg):	42.50	Filter:	No
Volume acid (l):	11.40	Lateral Plug:	No
Length (mm):	514	PLUGS	
Width (mm):	218	Type:	6 x M27 BLACK
Height (mm):	210	HANDLES	
		Type:	2 x Rope (Rigid holder) BLACK
		OTHERS	
		Degassing Tube:	No