



POWER SUPPLY SPECIFICATION

MODEL NO.	MW MC15EU-L	ISSUE DATE	2022-11-03
CUSTOMER	Minwa Standard	REF. NO.	

INPUT

INPUT VOLTAGE	100 to 240 Vac
INPUT FREQUENCY	50/ 60 Hz
NO LOAD POWER CONSUMPTION	<0.1W
INPUT FULL LOAD CURRENT (at 100 Vac)	0.35A

OUTPUT

OUTPUT RATING	3.0V/4.5V/5.0V/6.0V/7.5V/9.0V/12.0V
OUTPUT CURRENT	3.0V/4.5V/5.0V 2.1A; 6.0V/7.5V/9.0V/12.0V 1.5A

OVERALL PERFORMANCE

TOTAL OUTPUT POWER	18.0W Max
AVERAGE ACTIVE EFFICIENCY	Min 75.4% (for 3.0V); Min 78.4% (for 4.5V); Min 79.1% (for 5.0V); Min 81.3% (for 6.0V); Min 82.6% (for 7.5V); Min 83.5% (for 9.0V); Min 85.0% (for 12.0V)
EFFICIENCY AT LOW LOAD (10%)	Min 65.4% (for 3.0V); Min 68.4% (for 4.5V); Min 69.1% (for 5.0V); Min 71.3% (for 6.0V); Min 72.6% (for 7.5V); Min 73.5% (for 9.0V); Min 75.0% (for 12.0V)

PROTECTION

■ OVER CURRENT PROTECTION	■ SHORT CIRCUIT PROTECTION
■ OVER VOLTAGE PROTECTION	■ L.P.S (Limits for power source)
■ OVER POWER PROTECTION	□ AUTOMATIC THERMAL PROTECTION

HI-POT

INPUT TO OUTPUT	3000Vac 5 mA 50 Hz
INPUT TO CASE	3000Vac 5 mA 50Hz
OUTPUT TO CASE	500 Vac 5 mA 50Hz
ISOLATION RESISTANCE	100 M Ohms I/P-O/P I/P/Enclosure
APPLIANCE	Class II

ENVIRONMENTAL

OPERATING TEMPERATURE	0 °C to 25 °C
STORGE TEMPERATURE	-20 °C to 60 °C
OPERATING HUMIDITY	20%-85% RH. NON-CONDENSING
STORGE HUMIDITY	10%-90% RH. NON-CONDENSING

APPROVAL

SAFETY STANDARDS	EN 61558-2-16 EN IEC 61558-1
EMC	EN IEC 61204-3

RELIABILITY

MTBF	30000 Hours min
BURN-IN	4 Hours 25°C, full load, 220Vac, 50Hz

MECHANICAL SPECIFICATION

DIMENSION	82.0 mm(L) x 51.6 mm(W) x 35.9mm(H) (excluded plug) 82.0 mm(L) x 51.6 mm(W) x 73.2mm(H) (included plug)
-----------	--

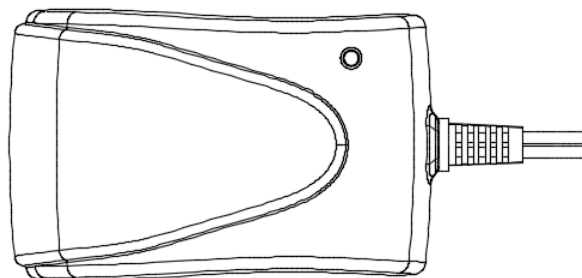
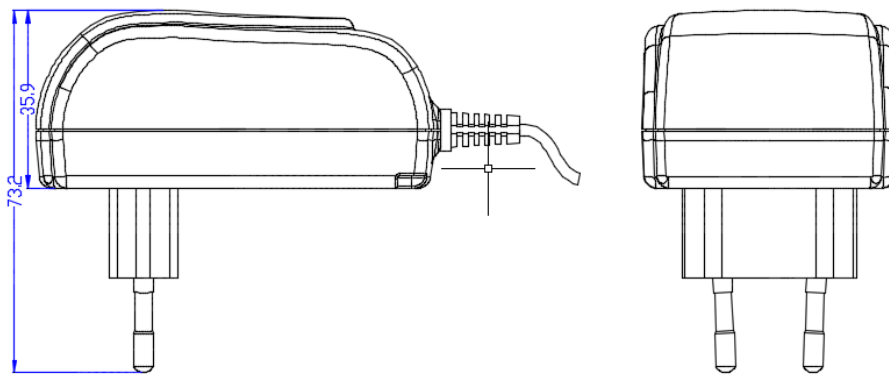
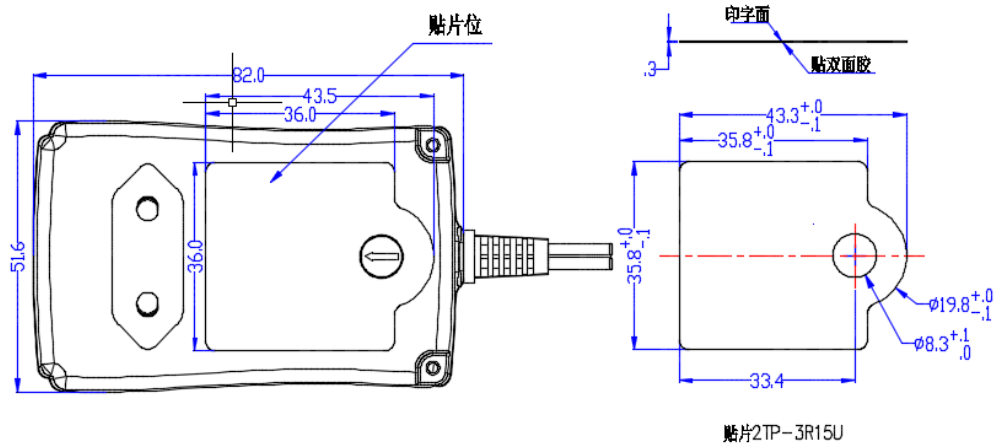


POWER SUPPLY SPECIFICATION

MODEL NO.	MW MC15EU-L	ISSUE DATE	2022-11-03
CUSTOMER	Minwa Standard	REF. NO.	

WEIGHT	130g MAX exclude packing
INPUT PLUG	Direct plug-in; EU type
OUTPUT CORD	PVC, Length 1.8m
OUTPUT PLUG	Depends on client request

Appearance



APPROVE:

AUDITING:

CONNER:



POWER SUPPLY SPECIFICATION

MODEL NO.	MW MC15EU-L	ISSUE DATE	2022-11-03
CUSTOMER	Minwa Standard	REF. NO.	