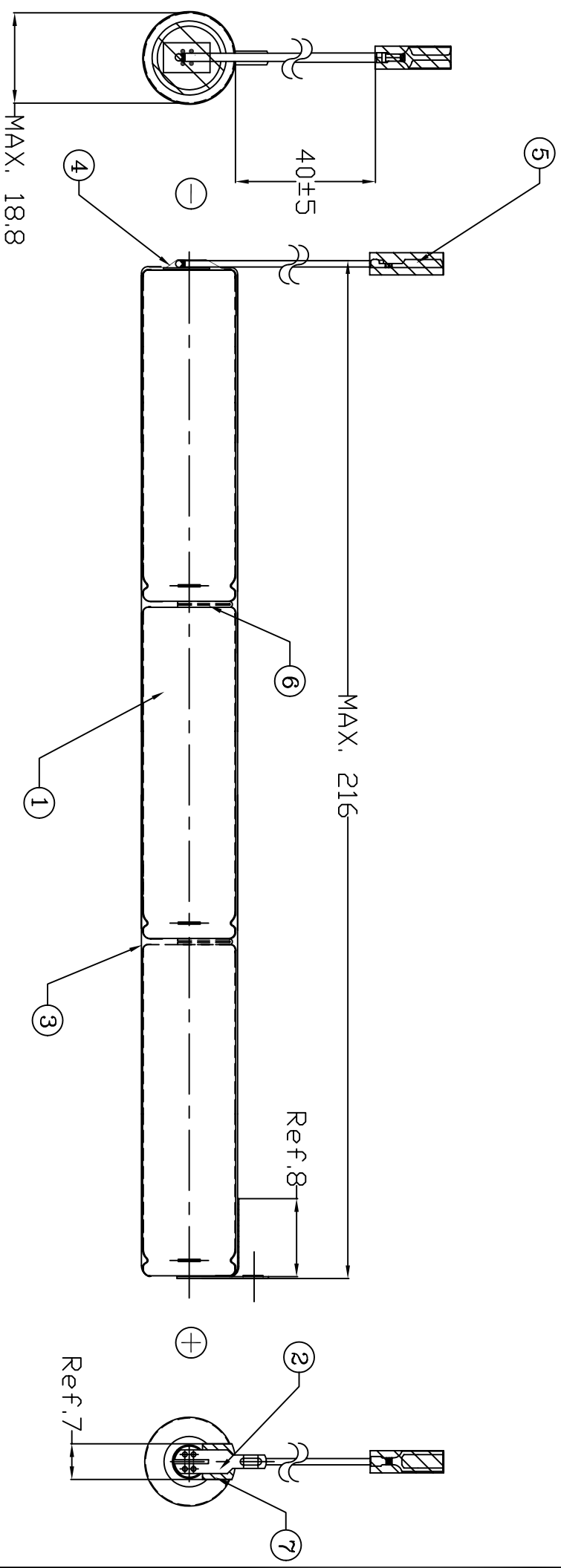


REVISIONS

LTR	DESCRIPTION	SIGNATURE AND DATE	DWN	CHK	AUTH



7	TBA	HEAT RESISTANCE TAPE, W=7MM
6	NS15050	NICKEL STRIP, T=0.15MM
5	TBA	WIRE : AWG20, UL1015, BLACK
4	FP025018BLK	FIBRE PAPER, T=0.25MM, BLACK
3	SHRINK18030W	SHRINKAGE SLEEVE, W=30MM, WHITE
2	TAB192706	FASTON CONNECTOR, W=2.7MM
1	NT400LAHT	UNIT CELL
NO.	P/N	DESCRIPTION

GP Batteries

TITLE: 1A SIZE PACK CONFIGURATION (3AX)

SIGNATURE

DATE

MODEL NO.: GP4001LAHT3AX

NOMINAL VOLTAGE: 3.6V

DRAWN	KEVIN SHUM	19.AUG.03	Division : PCD	CAPACITY: 4000mAh	DWG NO. : ZED6646
CHKD	KEVIN SHUM	19.AUG.03	CELL TYPE: 400LA	SCALE: Not in scale	REV. NO.: 0
APPD	GILBERT SIN	19.AUG.03	Page 2 of 2		

DIMENSIONS ARE IN mm AND INCLUDE PLATED FINISHES

NOTICE:
1. DO NOT SCALE THIS DRAWING
2. REMOVE ALL SHARP EDGES
UNLESS OTHERWISE SPECIFIED

TOLERANCE REQUEST:
1. DECPT. ± 0.50
2. DECPT. ± 0.05

Manufacturer reserves the right to alter or amend the design, model and specification without prior notice.