



E-LIGHT BATTERY PACK 4.8V 1.6AH (STICK) + WIRES

BATTERIE ECLAIRAGE SECOURS 4.8V 1.6AH (BATON) + FILS

SC NICD

MAIN INFORMATION / INFORMATIONS GÉNÉRALES

CELL BRAND / MARQUE DES CELLULES	NX
TECHNOLOGY / TECHNOLOGIE	NiCd
NOMINAL VOLTAGE / TENSION NOMINALE	4.8V
NOMINAL CAPACITY / CAPACITÉ NOMINALE	1600mAh at 0.2C
DIMENSIONS H x Ø (±2mm) / DIMENSIONS H x Ø (±2mm)	172mm x 23mm
WEIGHT (±2%) / POIDS (±2%)	200gr
GUARANTEE / GARANTIE	6 months/mois

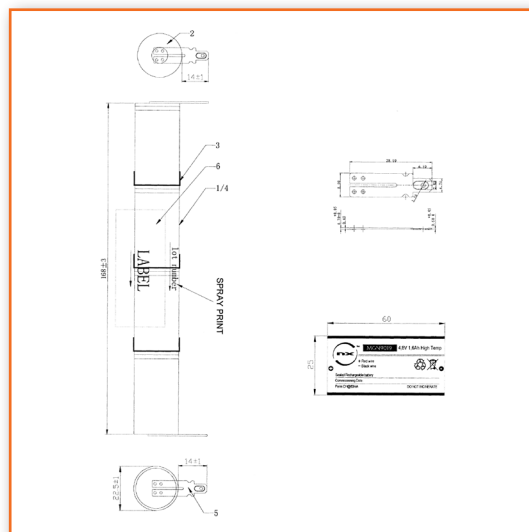
- UK :**
- Capacity to charge the inverter with battery to meet either one-hour or three-hour standby duration
 - Ability to recharge in 24 hours to support another standby duration
 - Ability to renew the stand byduration after being in service for up to four years
 - Work in ambient temperature at 55°C
 - Delivers continuous trickle charge at C/30 to C/16 at 55°C

- FR :**
- Capacité à s'éclairer sur une durée d'1h ou 3h lors du déclenchement de l'éclairage de secours
 - Capacité à se recharger en 24h pour supporter un nouveau déclenchement de l'éclairage de secours
 - Capacité à se déclencher même après 4 ans de mise en service
 - Peut fonctionner à une température ambiante de 55°C
 - Fournit un courant continu de C/30 jusqu'à C/16 à 55°C



TECHNICAL INFORMATION / INFORMATIONS TECHNIQUES

STANDARD CHARGE / CHARGE STANDARD	160mA × 15 hours
TRICKLE CHARGE / CHARGE LENTE	48~100mA
STANDARD DISCHARGE / DÉCHARGE STANDARD	320mA to 4.0V
DISCHARGE CUT-OFF VOLTAGE / DÉCHARGE DE COUPE DE TENSION	4.0V
INTERNAL RESISTANCE (AT 1KHZ) / RÉSISTANCE INTERNE (À 1KHZ)	≤18mΩ
OPERATING TEMPERATURE / TEMPÉRATURE D'UTILISATION	55°C
STORAGE TEMPERATURE / TEMPÉRATURE DE STOCKAGE	-20~+30°C (6 months)
CYCLE LIFE / DURÉE DE VIE	AT 80% DOD (0.5C) 500 cycles
COVERING / PROTECTION MÉCANIQUE	Shrink sleeve /gaine thermo-rétractable
OUTPUT (CONNECTOR) / TERMINAISON (CONNECTEUR)	Faston 4.8mm



PRODUCT DESCRIPTION / DESCRIPTION DU PRODUIT

UK: Our NX packs are built using high temperature NiCd cells. These cells are specially designed to meet the technical specifications of the emergency lighting units built by the biggest manufacturers. Each cell is equipped with high temperature technology and special separators and has been optimized to function in an intensive environment at high temperatures. These components help to ensure and maintain a constant charge at high temperatures.

FR: Nos packs NX sont composés de cellules NiCd haute température spécialement conçues pour répondre aux cahiers des charges des blocs d'éclairage de secours des plus grands fabricants. Dotée de la technologie Haute température ainsi que de séparateurs spécifiques, chaque cellules ont été optimisées pour fonctionner dans un environnement intensif à haute température. Ces composants permettent d'assurer et maintenir une charge permanente à haute température.

TMD 1 Description, classe : UN 2800 - Accumulateurs inversables remplis d'électrolyte liquide, 8,none, (E)

ADR : Not regulated

IMDG : Not regulated

IATA : Exempt

Procédure TMD Proc. 2 : UN 2800



www.enix-energies.com • Date: 2017/10/24

1 / 2

OUTLINE SAFETY WARNING: USE ONLY WITH IN THE ALLOWED PARAMETERS. Do not short circuit or over-load the battery. Charge only using an approved charger designed specifically to charge this battery. Do not heat above maximum temperatures indicated. Never crush, mutilate, puncture or abuse the battery. Do not dismantle the pack or disable any of the protective devices or circuits. DO NOT USE THE BATTERY IF YOU SUSPECT IT MAY BE FAULTY OR DAMAGED.

© Copyright Enix Energies 2005. NB: This document and the product design are the intellectual property of Enix Energies. No document or design may be copied or used for commercial purposes without written permission of Enix Energies. Users must satisfy themselves, by means of testing etc, that products are suitable for their application. Data in this document is for general guidance only; consult cell manufacturers data for definitive information. Information is given free of charge and in good faith, but no responsibility can be accepted for any errors or omission or costs or losses or liabilities arising from the use of this information. All business is conducted to Enix Energies terms and conditions only.

PERFORMANCES / PERFORMANCES

