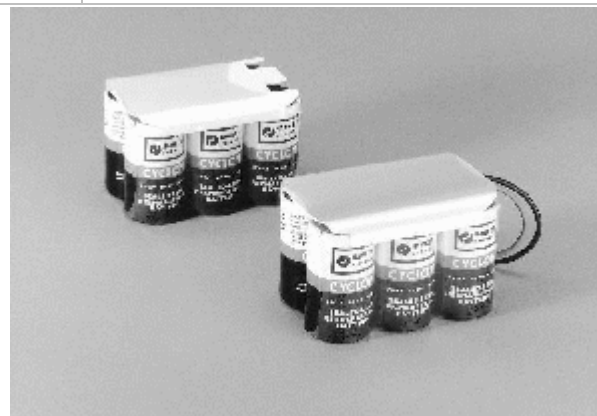
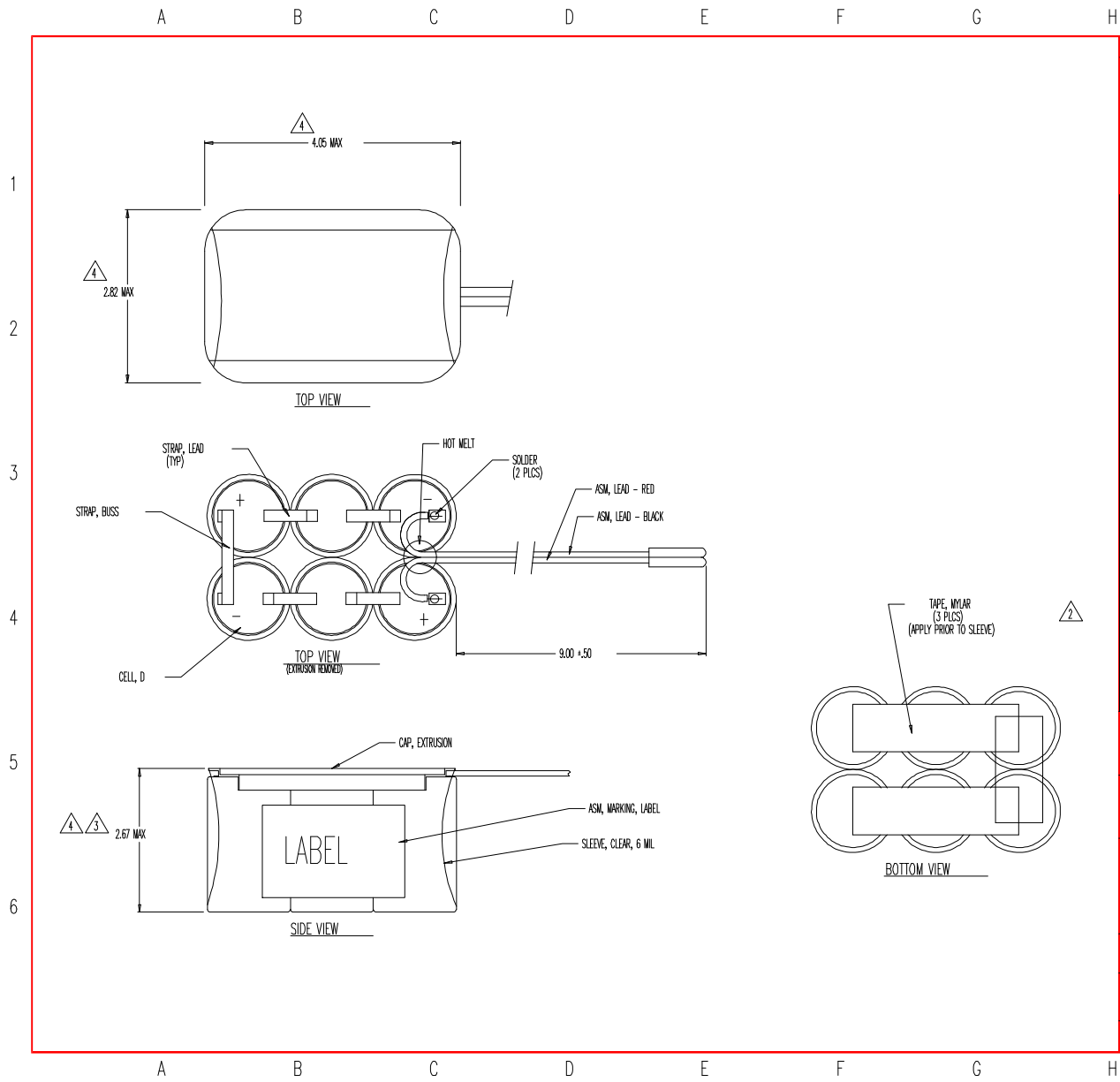




Bill of Materials for 0810-0115 2x3 Dsc

PARENT	COMPONENT	ITEM_DESC	QUANTITY	COMP_UM
0810-0115	1038-0112	TESTED, DSC STANDARD	6 EA	
0810-0115	2200-1002	LABEL,BLANK,STOCK	1 EA	
0810-0115	2200-0060	LABEL, BLANK, THERMAL XFER	1 EA	
0810-0115	2207-0025	INTERCELL STRAP D SI	4 EA	
0810-0115	2207-0035	BUSS STRAP D SIZE	1 EA	
0810-0115	3201-0665	2X3 D EXTRUSION	1 EA	
0810-0115	2201-1035	SHRINK WRAP 144MM 2	0.375 FT	
0810-0115	3204-2410	LEAD WIRE, RED	1 EA	
0810-0115	3204-2420	LEAD WIRE, BLACK	1 EA	
0810-0115	2300-0135	8 PACK BATTERY BOX D	0.125 EA	
0810-0115	2300-0145	8 PACK BATTERY D/C P	0.25 EA	
0810-0115	2200-1003	LABEL,BLANK,STOCK	0.125 EA	
0810-0115	2400-0000	BAND, RUBBER	1 EA	
0810-0115	0810-0115DC	OUTLINE. SLA	1 EA	
0810-0115	0810-0115SB	INSTRUCTION, PACKAGING	1 EA	
0810-0115	0810-0115AP	ASSEMBLY PROCEDURE	1 EA	





REV	DESCRIPTION	DATE	BY	CHK	APP
1	EOD 910628	5-17-91	EEH		
DELETE NOTES					
2	EOD 960249	6-19-96	CEB		
ADD THIRD PIECE OF TAPE					
UPDATE FROM GATES TO HAMMER					
3	EOD 960684	9-24-96	CEB		
CHANGE OVERALL HEIGHT FROM 2.63 TO 2.66					
4	EOD 970012	11-14-97	EEH		
2.67 MAX, MTS 2.66 MAX. REF.					
4.05 MAX, MTS 4.04 MAX. REF.					
2.82 MAX, MTS 2.82 MAX. REF.					

This drawing and the information contained therein are the exclusive property of Hawker Energy Products, Inc. Loaned to the recipient in strict confidence and shall not, without prior written permission, be disclosed, reproduced, copied, or loaned, in whole or in part, or used for any purpose except for the sole benefit of Hawker Energy Products, Inc. Acceptance of this drawing will be construed as an agreement with recipient to the foregoing conditions.

REV 01

THIS DRAWING AND THE INFORMATION CONTAINED THEREIN ARE THE EXCLUSIVE PROPERTY OF HAWKER ENERGY PRODUCTS, INC. LOANED TO THE RECIPIENT IN STRICT CONFIDENCE AND SHALL NOT BE USED FOR ANY OTHER PURPOSE WITHOUT THE WRITTEN PERMISSION OF HAWKER ENERGY PRODUCTS, INC. ANY REPRODUCTION, DISSEMINATION, OR USE OF THIS DRAWING FOR ANY PURPOSE EXCEPT FOR THE SOLE BENEFIT OF HAWKER ENERGY PRODUCTS, INC. WITHOUT THE WRITTEN PERMISSION OF HAWKER ENERGY PRODUCTS, INC. IS PROHIBITED AND WILL BE CONSIDERED AN VIOLATION OF THE FOREGOING CONDITIONS.

TOLERANCES	BOX	CHAR	DRW	JRP	CHK	JR
XX = +/-	DATE	DATE	DATE	DATE	DATE	DATE
LXX = +/-	6-20-88	6-8-88	6-8-88	6-20-88	6-20-88	6-20-88
LXXX = +/-	SCALE					
	DO NOT SCALE PRINT					

HAWKER ENERGY HAWKER ENERGY PRODUCTS, INC.
Kansas City, Missouri

DESCRIPTION: OUTLINE, SLA

C- 0810-0115DC REV 4 PAGE 1 of 1