



Yuasa Fiche de données techniques

Yuasa YTX20L-BS - Maintenance Free batterie

Performance

| | |
|----------------------|--------|
| Tension | 12V |
| Capacity (10-hour) | 18Ah |
| Capacité (20 heures) | 18.9Ah |
| CCA @ -18°C | 270A |

Dimensions (±2mm)

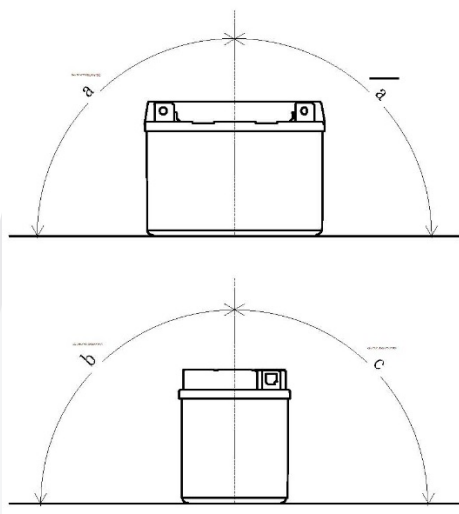
| | |
|----------|-------|
| Longueur | 175mm |
| Largeur | 87mm |
| Hauteur | 155mm |

Poids & Mesures

| | |
|------------------------|-------|
| Poids moyen avec acide | 6.7kg |
| Volume d'acide | 0.93l |

Mounting Angle

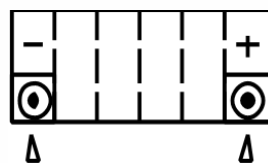
| | |
|---------|-----|
| Angle A | 30° |
| Angle B | 20° |
| Angle C | 20° |



Technologie

Séparateur AGM

Schéma de montage des éléments



Type de bornes - 4



Date de publication: 17/11/2016 - E&OE



Yuasa Technical Data Sheet

Yuasa YTX20L-BS - Maintenance Free Battery

Performance

| | |
|--------------------|--------|
| Voltage | 12V |
| Capacity (10-hour) | 18Ah |
| Capacity (20-hour) | 18.9Ah |
| CCA @ -18°C | 270A |

Dimensions (±2mm)

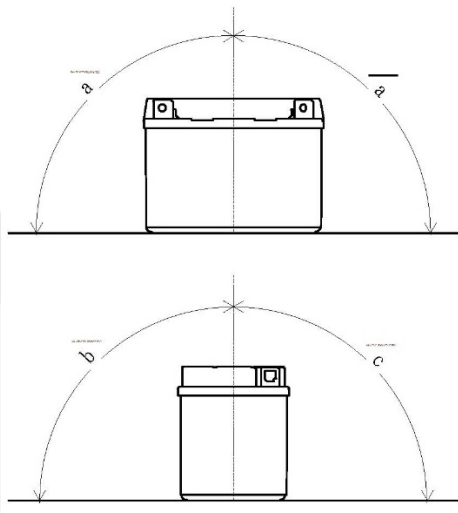
| | |
|--------|-------|
| Length | 175mm |
| Width | 87mm |
| Height | 155mm |

Weights & Measures

| | |
|-----------------------|-------|
| Mean Weight with Acid | 6.7kg |
| Acid Volume | 0.93l |

Mounting Angle

| | |
|---------|-----|
| Angle A | 30° |
| Angle B | 20° |
| Angle C | 20° |



Technology

Separator AGM

Cell Assembly Layout



Terminal Type - 4



Data Sheet generated on 17/11/2016 - E&OE