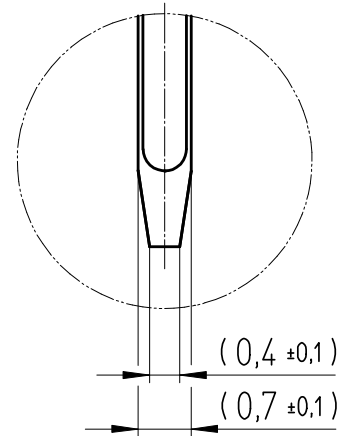
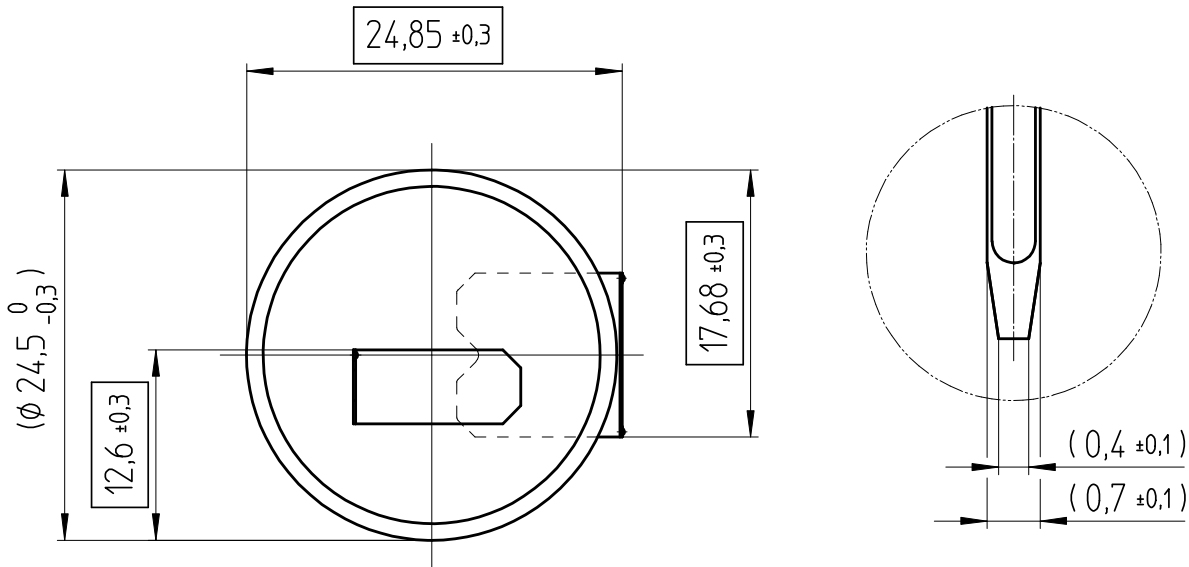
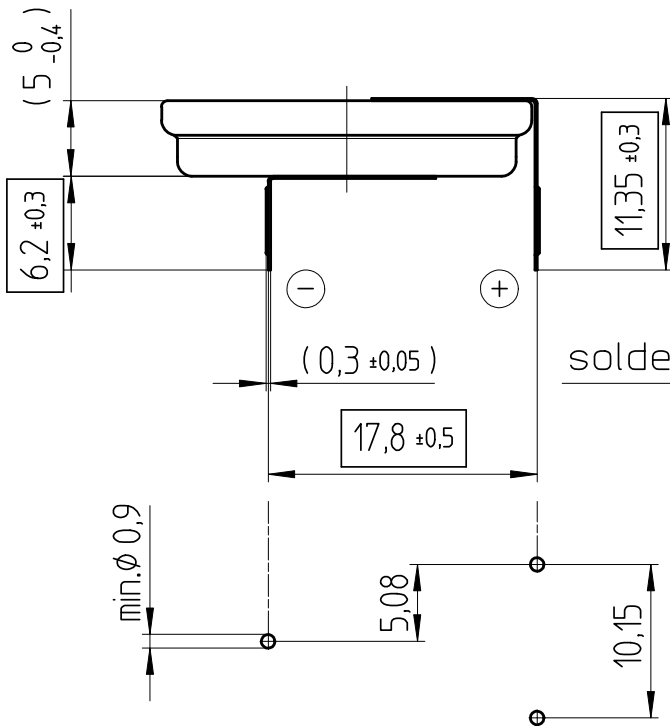


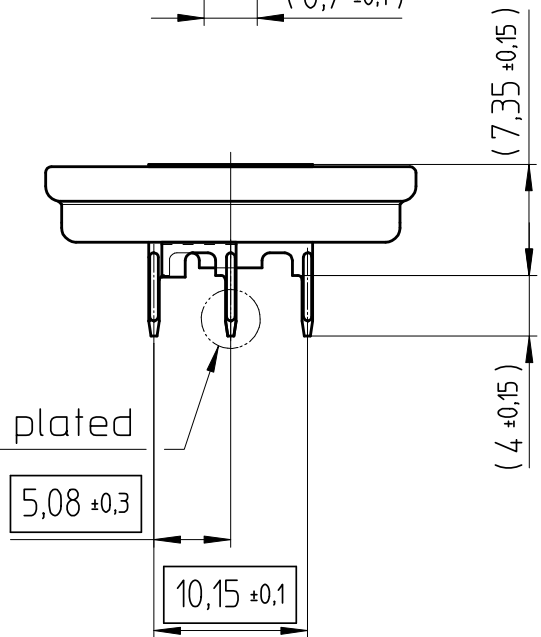
Art.-Number: 701097



- Samples can deviate in the execution from the serie.



solder plated



Layout top view

Tab material: Stainless steel

All framed values will be used for dimension checking !

- Dimensions and tolerances can be specified only after the testing of the devices for the mass production definitely

Rev.	○			Rev.	○			Customer's Approval			
Rev.	○			Rev.	○			Date			
Rev.	○			Rev.	○			Signature			
Titel:							Scale 2:1	Drawn	05.01.05	SRi	
CR2450NRH-LF								Checked	07.02.05	MHo	
								Approved			
							CH-4452 Itingen Switzerland		3.8735.4-		