

301

SR1142SW (SR43)
Watch Battery
Swiss Made

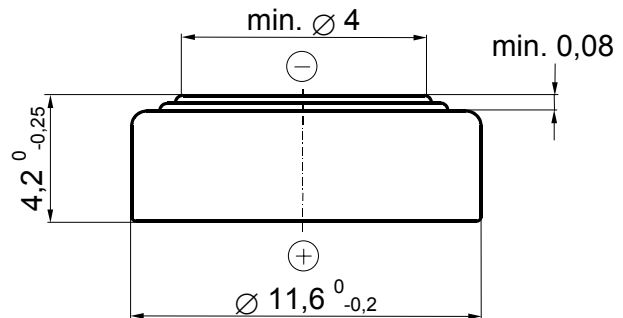
Technical Data Sheet

Specifications

Chemical system	Zinc / Monovalent Silver Oxide, low drain
Nominal Voltage	1,55 V
Capacity	120 mAh, Discharge over 10 kΩ at 20°C to 1,2 V
Internal Resistance	Below 50 Ω at 20°C
Operating Temperature	0°C – 60°C
Self Discharge	Less than 5% per year at 20°C
Weight	~1,60 g

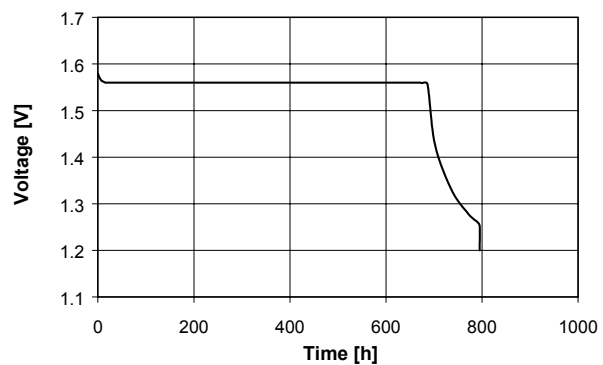
Dimensions

Diameter	11,60 mm (0,457")
Height	4,20 mm (0,165")



Discharge Curve

Constant Load	10 kΩ
Starting Drain	156 μA
Temperature	20°C



Rev. 301.03 06/02