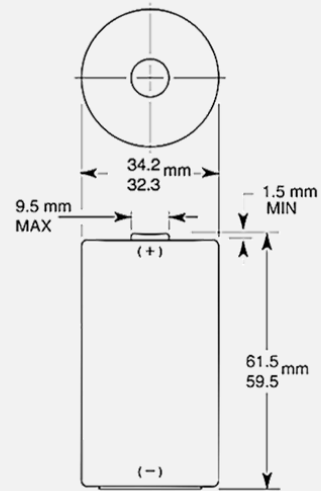


## ALKALINE-MANGANESE DIOXIDE BATTERY



Size: D (LR20) PC1300



Dimensions shown are IEC standards

### KEY FEATURES

- Reliable Performance
- Excellent resistance to corrosion
- Designed to meet all major quality, safety and environmental standards:
  - Safety: IEC 60086-5
  - ANSI C 18.1M, Part-2
  - EU Battery Directive
  - Quality: ISO 14001 and 9001, Duracell World Class Continuous Improvement Program

### TYPICAL APPLICATIONS

- Clocks
- Multimeters
- Flashlights
- Scales

### ELECTRICAL CHARACTERISTICS

- |   |            |
|---|------------|
| ▪ Nominal capacity (25 mA Cont., .8V cut-off) | 19,669 mAh |
| ▪ Typical Voltage (at + 20 °C)                | 1.5 V      |
| ▪ AC Impedance @ 1kHz                         | 133 mΩ     |

### PHYSICAL CHARACTERISTICS

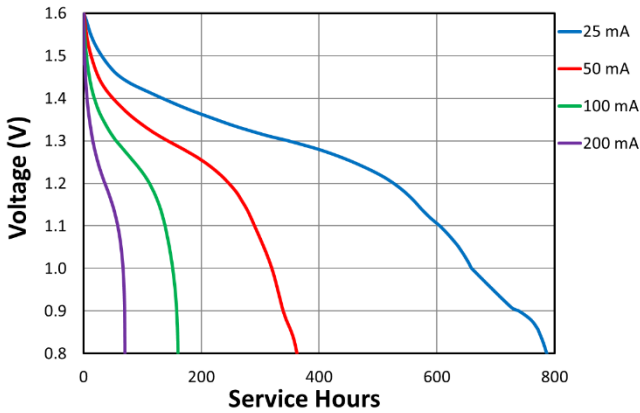
- |                  |   |
|------------------|---|
| ▪ Typical weight | 144.0 g (5.1 oz)                            |
| ▪ Typical volume | 56.4 cm <sup>3</sup> (3.4 in <sup>3</sup> ) |
| ▪ Terminals      | Flat  |

### OPERATING & STORAGE CONDITIONS

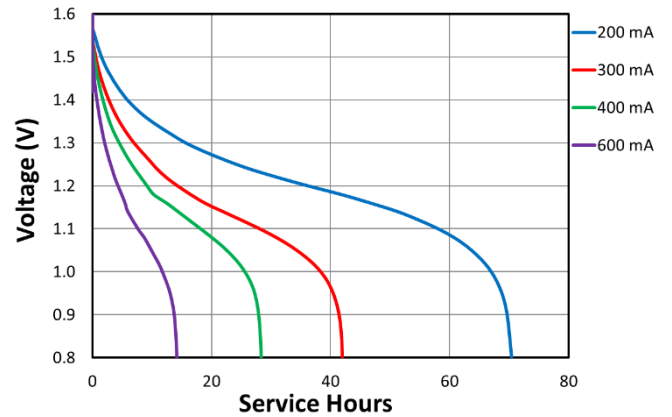
- |  |                                  |
|--|----------------------------------|
| ▪ Operating temperature range  | -20°C to 54°C<br>(-4°F to 130°F) |
| ▪ Recommended Storage (storage area should be clean, cool, dry and ventilated) | 5°C to 30°C<br>(41°F to 86°F)    |

**TYPICAL PERFORMANCE**

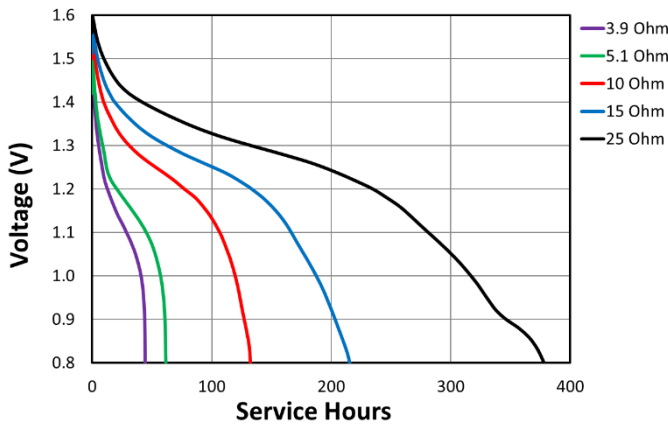
**Constant Current**



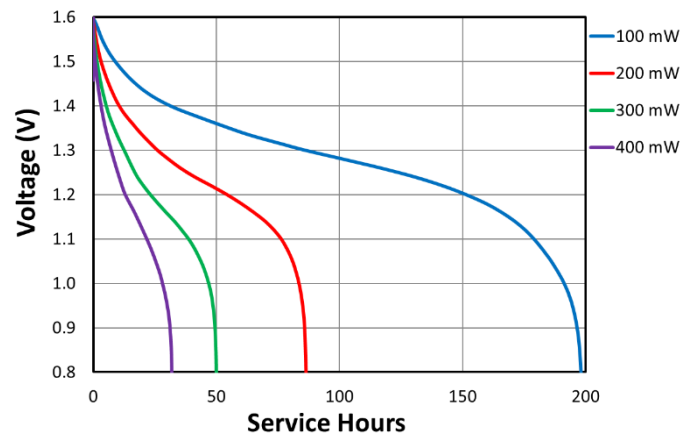
**Constant Current**



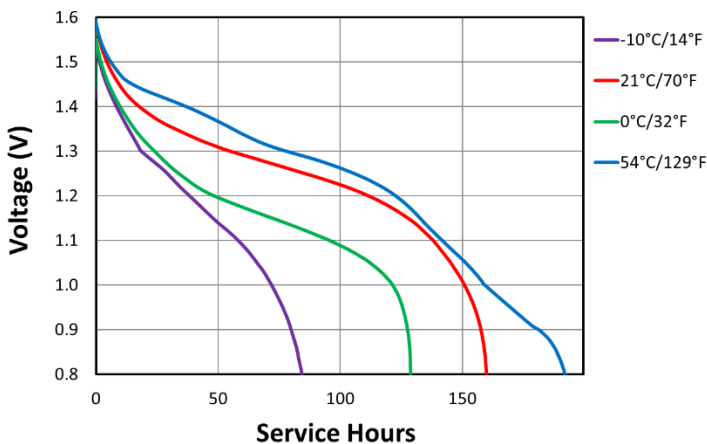
**Constant Resistance**



**Constant Power**



**Constant Current - 100 mA**



**PROCELL**<sup>®</sup>

PROFESSIONAL BATTERIES

Procell Professional batteries  
Berkshire Corporate Park  
Phone: 1-800-544-5454 (Toll-free)  
[www.procell.com](http://www.procell.com)

Delivered capacity is dependent on the applied load, operating temperature and cut-off voltage. Please refer to the charts and discharge data shown for examples of the energy/service life that the battery will provide for various load conditions.

This data is subject to change. Performance information is typical. Contact Duracell for the latest information.