



# ALKALINE BATTERY NX-POWER PLUS

## PILE ALCALINE NX-POWER TECH



### MAIN INFORMATION / INFORMATIONS GÉNÉRALES

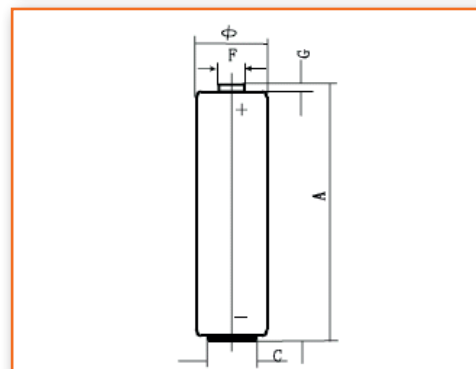
SIZE	FORMAT	11A
BRAND	MARQUE	NX
TECHNOLOGY	TECHNOLOGIE	Alkaline / Alcaline
VOLTAGE	TENSION	6V
WEIGHT	POIDS	4gr
TERMINALS	SORTIE	Flat / Plot pile
PACKING	CONDITIONNEMENT	Blister x1

\*In consideration of typical loss of capacity at storage. \*Dans les conditions normales de stockage.



### DIMENSIONS / DIMENSIONS

A	15.95 to/à 16.05mm
Ø	10.07 to/à 10.15mm
C	5.47 to/à 5.53mm
F	5.47 to/à 5.53mm
G	0.5mm



### DISCHARGE DIAGRAM / COURBES DE DÉCHARGE

