

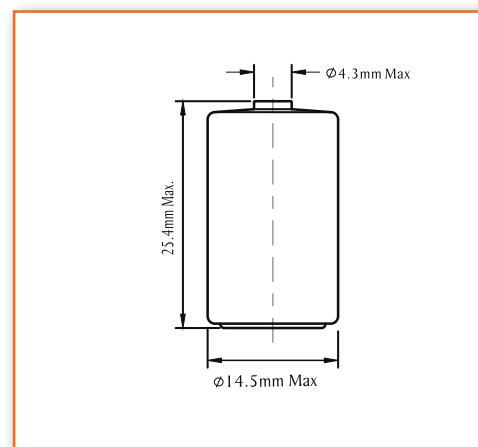


# LITHIUM-THIONYL CHLORIDE BATTERY

## PILE LITHIUM CHLORURE DE THIONYLE

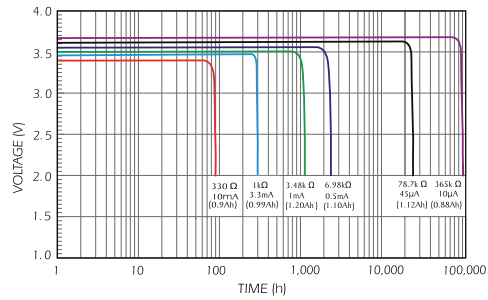
### MAIN INFORMATION / INFORMATIONS GÉNÉRALES

<b>SIZE</b>	FORMAT	ER14250 - 1/2AA
<b>BRAND</b>	MARQUE	NX
<b>TECHNOLOGY</b>	TECHNOLOGIE	Lithium-thionyl chloride / Lithium Chlorure de thionyle (Li-SOCl <sub>2</sub> )
<b>STRUCTURE</b>	STRUCTURE	Bobbin
<b>VOLTAGE</b>	TENSION	3.6V
<b>NOMINAL CAPACITY</b>	CAPACITÉ NOMINALE	1.2Ah (at 1mA, +25°C, 2.0 cut off)
<b>MAXIMUM CONTINUOUS DISCHARGE CURRENT</b>		15mA
COURANT DE DÉCHARGE CONTINU MAXIMUM		
<b>MAXIMUM PULSE CURRENT</b>	COURANT PULSE MAXI	50mA (/0.1 sec. pulse, drained every 2 min at 25°C)
<b>OPERATING TEMPERATURE</b>	PLAGE DE TEMPÉRATURE	-60°C/+85°C
<b>STORAGE TEMPERATURE RANGE</b>		+30°C MAX
PLAGE DE TEMPÉRATURE DE STOCKAGE		
<b>LITHIUM CONTENT</b>	LITHIUM CONTENU	< 1GR
<b>PROTECTION</b>	PTC	No
<b>DIMENSIONS</b>	DIMENSIONS	
• DIAMETER / DIAMÈTRE		14.5mm (+/-0.5)
• HEIGHT / HAUTEUR		25mm (+/-1)
<b>WEIGHT</b>	POIDS	10gr
<b>CERTIFICATIONS</b>		UN38.3 / IEC60086-4 / UL

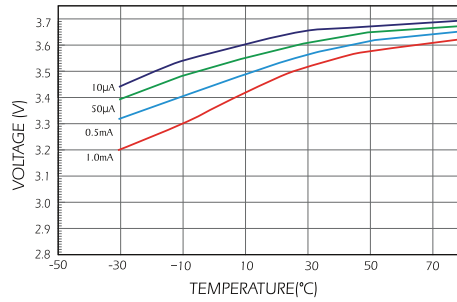


**DISCHARGE CURVES / COURBES DE DÉCHARGE**

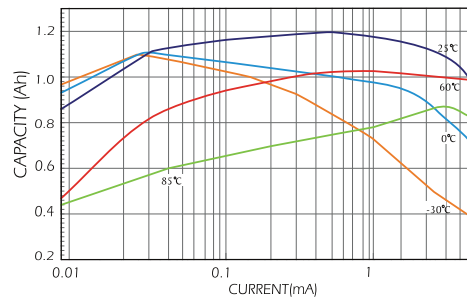
Typical discharge profile at +25°C (Median value)



Voltage plateau versus Current and Temperature (at mid-discharge)



Capacity versus Current and Temperature (2.0V cut off)



**STORAGE CHARACTERISTICS**

