



Une marque d'UP ENERGY

Part No: PRA9010

ALKALINE BATTERY NX-POWER TECH

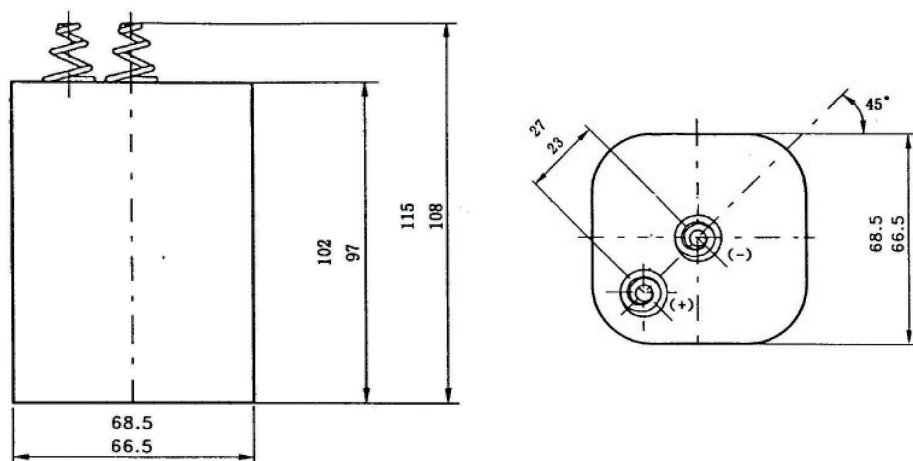
PILE ALCALINE NX-POWER TECH

MAIN INFORMATION / INFORMATIONS GÉNÉRALES

SIZE	FORMAT	4LR20
BRAND	MARQUE	NX
TECHNOLOGY	TECHNOLOGIE	Alkaline / Alcaline
CHEMICAL SYSTEM	SYSTÈME CHIMIQUE	Zn/MnO ₂
VOLTAGE	TENSION	6V
CAPACITY	CAPACITÉ	12000mAh
WEIGHT	POIDS	650 Gr.
SHELF LIFE*	DURÉE DE VIE*	5 years/5 ans
OPERATING TEMPERATURE RANGE	TEMPÉRATURE D'UTILISATION	-18°C to +50°C
STORAGE TEMPERATURE RANGE	TEMPÉRATURE DE STOCKAGE	10°C to +25°C
TERMINALS	SORTIE	Springs / Ressorts
CASE	BOÎTIER	Metal
PACKING	CONDITIONNEMENT	Individual shrink / Emballée unitairement

*In consideration of typical loss of capacity at storage. *Dans les conditions normales de stockage.

DIMENSIONS / DIMENSIONS



www.enix-energies.com • Date: 2023-04-17

OUTLINE SAFETY WARNING: USE ONLY WITH IN THE ALLOWED PARAMETERS. Do not short circuit or over-load the battery. Charge only using an approved charger designed specifically to charge this battery. Do not heat above maximum temperatures indicated. Never crush, mutilate, puncture or abuse the battery. Do not dismantle the pack or disable any of the protective devices or circuits. DO NOT USE THE BATTERY IF YOU SUSPECT IT MAY BE FAULTY OR DAMAGED.

© Copyright Enix Energies 2005. NB: This document and the product design are the intellectual property of Enix Energies. No document or design may be copied or used for commercial purposes without written permission of Enix Energies. Users must satisfy themselves, by means of testing etc, that products are suitable for their application. Data in this document is for general guidance only; consult cell manufacturers data for definitive information. Information is given free of charge and in good faith, but no responsibility can be accepted for any errors or omission or costs or losses or liabilities arising from the use of this information. All business is conducted to Enix Energies terms and conditions only.